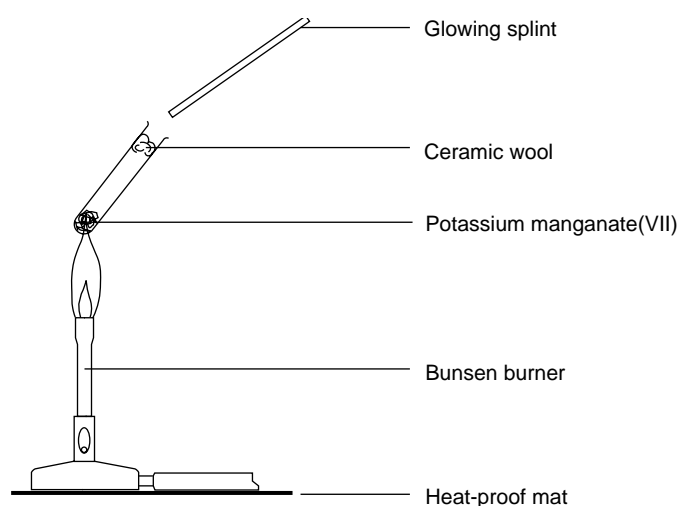


## RS•C

# The preparation and properties of oxygen

## Introduction

Potassium manganate(VII) produces oxygen when heated. In this experiment oxygen is produced and identified with a glowing splint.



## What to record

What was done and what was observed.

## What to do

1. Place two spatula measures of potassium manganate(VII) in a test-tube.
2. Place a small piece of ceramic wool near the top of the test-tube. This stops fine dust escaping.
3. Gently heat the test-tube containing the potassium manganate(VII).
4. Light a splint and extinguish it, to make a 'glowing splint'.
5. Place the glowing splint just above the top of the test-tube. Keep heating the test-tube. The splint should relight.
6. Scrape out the ceramic wool. Let the test-tube cool to room temperature and then wash it out.
7. Notice the colours produced when the test tube is washed out.

## Safety

Wear eye protection.

Potassium manganate(VII) is harmful if swallowed. It assists fire.

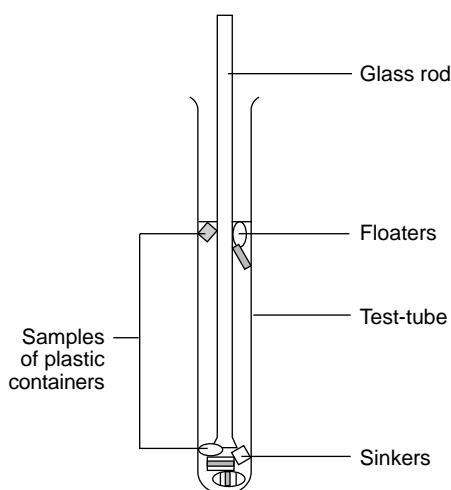
## Questions

1. What is the chemical formula for potassium manganate(VII)?

# Identifying polymers

## Introduction

In this experiment solutions with known densities are used to identify the polymers used in everyday materials.



## What to record

| Sample | Colour (or shape) | Solutions |   |   |   |   |   |
|--------|-------------------|-----------|---|---|---|---|---|
|        |                   | 1         | 2 | 3 | 4 | 5 | 6 |
|        |                   |           |   |   |   |   |   |
|        |                   |           |   |   |   |   |   |
|        |                   |           |   |   |   |   |   |
|        |                   |           |   |   |   |   |   |
|        |                   |           |   |   |   |   |   |
|        |                   |           |   |   |   |   |   |

## What to do

1. Fill six test-tubes with solutions 1 to 6 and label each tube.
2. Place a sample of each type of polymer into solution 1.
3. Use a glass rod to stir the contents of the tube. Observe whether the waste plastics float or sink.
4. For samples that sink, write the letter S in column 1 of the results table.
5. Wash the glass rod and dry it on a tissue or paper towel.
6. Repeat the test for solutions 2 to 6. Use a new sample each time.

## Safety

Wear eye protection.

Solutions 1,2 and 3 are highly flammable and toxic. Solutions 5 and 6 are irritants.

## Questions

1. Why were the solutions stirred once the plastics were added?
2. Use the following table to identify the plastics. Fill in the table.

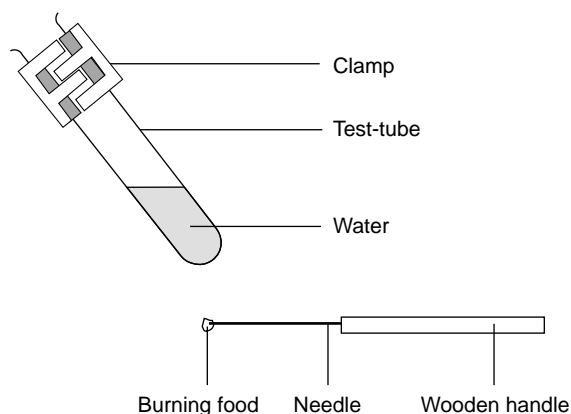
| Polymer name               | Acronym | Colour | Fingerprint |   |   |   |   |   |
|----------------------------|---------|--------|-------------|---|---|---|---|---|
|                            |         |        | 1           | 2 | 3 | 4 | 5 | 6 |
| Polyethylene terephthalate | PET     | Any    | S           | S | S | S | S | S |
| Polyvinyl chloride         | PVC     | Any    | S           | S | S | S | S | - |
| Polystyrene                | PS      | Any    | S           | S | S | S | - | - |
| High density polyethylene  | HDPE    | Any    | S           | S | S | - | - | - |
| Low density polyethylene   | LDPE    | Any    | S           | S | - | - | - | - |
| Polypropylene              | PP      | Any    | S           | - | - | - | - | - |
| Expanded polystyrene       | EPS     | Any    | -           | - | - | - | - | - |

| Polymer name               | Acronym | Sample |
|----------------------------|---------|--------|
| Polyethylene terephthalate | PET     |        |
| Polyvinyl chloride         | PVC     |        |
| Polystyrene                | PS      |        |
| High density polyethylene  | HDPE    |        |
| Low density polyethylene   | LDPE    |        |
| Polypropylene              | PP      |        |
| Expanded polystyrene       | EPS     |        |

# Energy values of food

## Introduction

In this experiment various foods are tested to find how much energy they contain.



## What to record

| Measurement  | Food |  |  |
|--|------|--|--|
| Mass/g   |      |  |  |
| Temperature of water before heating/ $^{\circ}\text{C}$        |      |  |  |
| Temperature of water after heating/ $^{\circ}\text{C}$         |      |  |  |
| Change in temperature/ $^{\circ}\text{C}$                      |      |  |  |
| Heat absorbed by water/J<br>(Temperature change $\times 4.2$ ) |      |  |  |
| Heat absorbed by water per gram of food/J                      |      |  |  |

## What to do

- Put  $10\text{ cm}^3$  of water in a test-tube. Clamp the test-tube in the retort stand at an angle as shown in the diagram.
- Weigh a small piece of food and record the mass in your table.
- Take the temperature of the water in the test-tube and record it in the table.
- Fix the food on the end of the mounted needle. If the food is likely to melt when heated put it on a teaspoon instead of on the needle.
- Light the food using a bunsen burner. As soon as the food is alight, hold it about 1 cm below the test-tube. If the flame goes out, quickly relight it.
- When the food stops burning, stir the water in the test-tube with the thermometer and note the temperature. Record it in your table.
- Empty the test-tube and refill it with another  $10\text{ cm}^3$  of water. Repeat the experiment using a different food each time.

## Safety

Wear eye protection.



## Questions

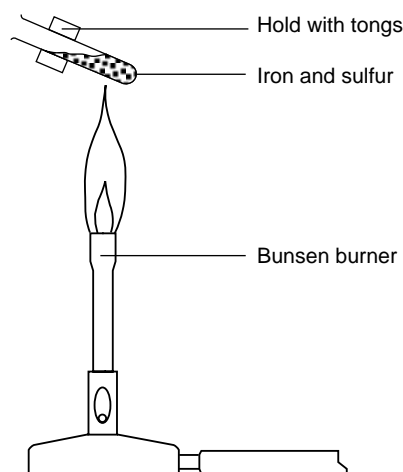
1. Suggest reasons why this experiment may not be a fair test?
2. Burning gives out heat. What is the name given to this sort of reaction?
3. The label on a packet of cheese says 100 g provides 1638 kJ. Calculate how many joules this is per gram of cheese and compare it to the cheese in your experiment.  
(1 kJ = 1000 J)

## RS•C

# A compound from two elements

## Introduction

A mixture of iron and sulfur can easily be separated. This is because there are no chemical bonds between the sulfur and the iron. The iron is magnetic and is therefore easily removed from the sulfur. In this experiment, a mixture of iron and sulfur are heated to make a new compound.



## What to do

1. Examine the plastic bag of sulfur, the bag of iron and the bag containing a mixture of the two.
2. Run a magnet over each of the bags.
3. Set up the apparatus as shown in the diagram.
4. Light a Bunsen burner and half open the air-hole to give a medium flame.
5. Heat the very end of the tube strongly. When the mixture starts to glow, move the Bunsen burner to one side.
6. Watch the mixture in the tube. (If the glow just goes out, heat the tube again.)
7. Let the tube cool down completely.
8. The substance from the tube is a new compound called iron sulfide.
9. Test the iron sulfide with a magnet. Does the magnet pick it up?

## Safety

Wear eye protection. Do not get too close to the fumes.

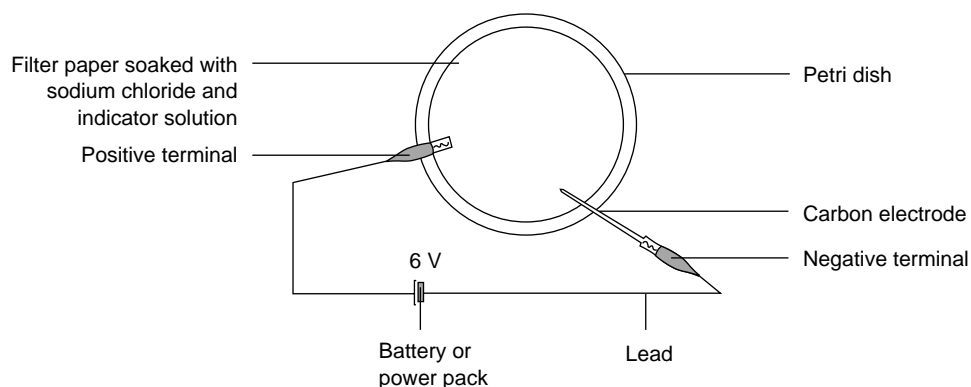
## Questions

1. Write a word equation for this reaction.
2. What has happened to the iron and the sulfur in forming iron sulfide?
3. What is the chemical formula for iron sulfide?

# Chemistry and electricity

## Introduction

In this experiment, electricity and some indicators are used to make coloured writing.



## What to do

1. Dissolve a spatula measure of sodium chloride in 2 cm<sup>3</sup> of water. Add three drops of methyl orange indicator.
2. Lay a filter paper inside a plastic petri dish. Drop the solution onto the paper using a dropping pipette, until the paper holds no more solution.
3. Attach the positive end of a 6 V battery to a lead ending in a crocodile clip. Use the crocodile clip to grip one end of the paper.
4. Attach the negative end of the battery to a carbon electrode.
5. Write lightly on the wet paper, using the carbon electrode. What colour is the writing?
6. Repeat the experiment using Universal Indicator. Describe what happens.

## Safety

Wear eye protection.

## Questions

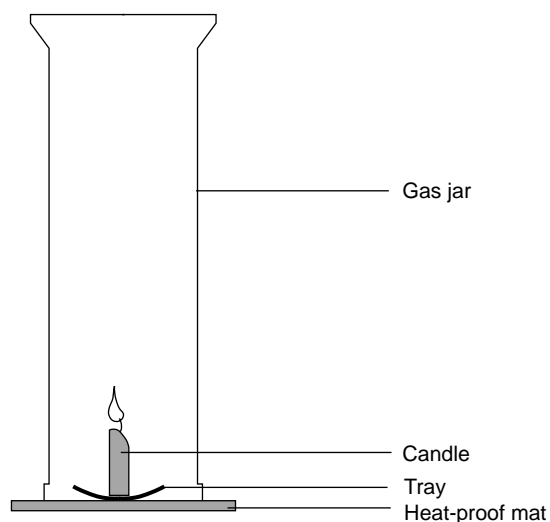
1. What would happen if the lead were attached to the positive electrode using Universal Indicator? Try this if there is time.
2. Explain what reactions have occurred to produce the colours.

## RS•C

# Combustion

## Introduction

Hydrocarbons produce carbon dioxide and water when they burn. In this experiment the products of combustion are captured and tested.



## What to record

What was done and what was observed.

## What to do

1. Set up the apparatus as shown in the diagram. The gas jar should be placed over the lit candle on a heatproof mat.
2. When the candle goes out, put a lid on the gas jar.
3. Test to see if the candle made water by adding a piece of blue cobalt chloride paper, test the sides of the jar. If it turns pink, water is present.
4. Now test to see if carbon dioxide was produced. Pour a little limewater into the gas jar. Swill it around a little. If carbon dioxide is present, the limewater turns cloudy.

## Safety

Wear eye protection.

## Questions

1. What is the gas that reacts with the hydrocarbon when it burns?
2. What gases does the candle produce when it burns?
3. Name another fuel that produces the same gases when it burns.











