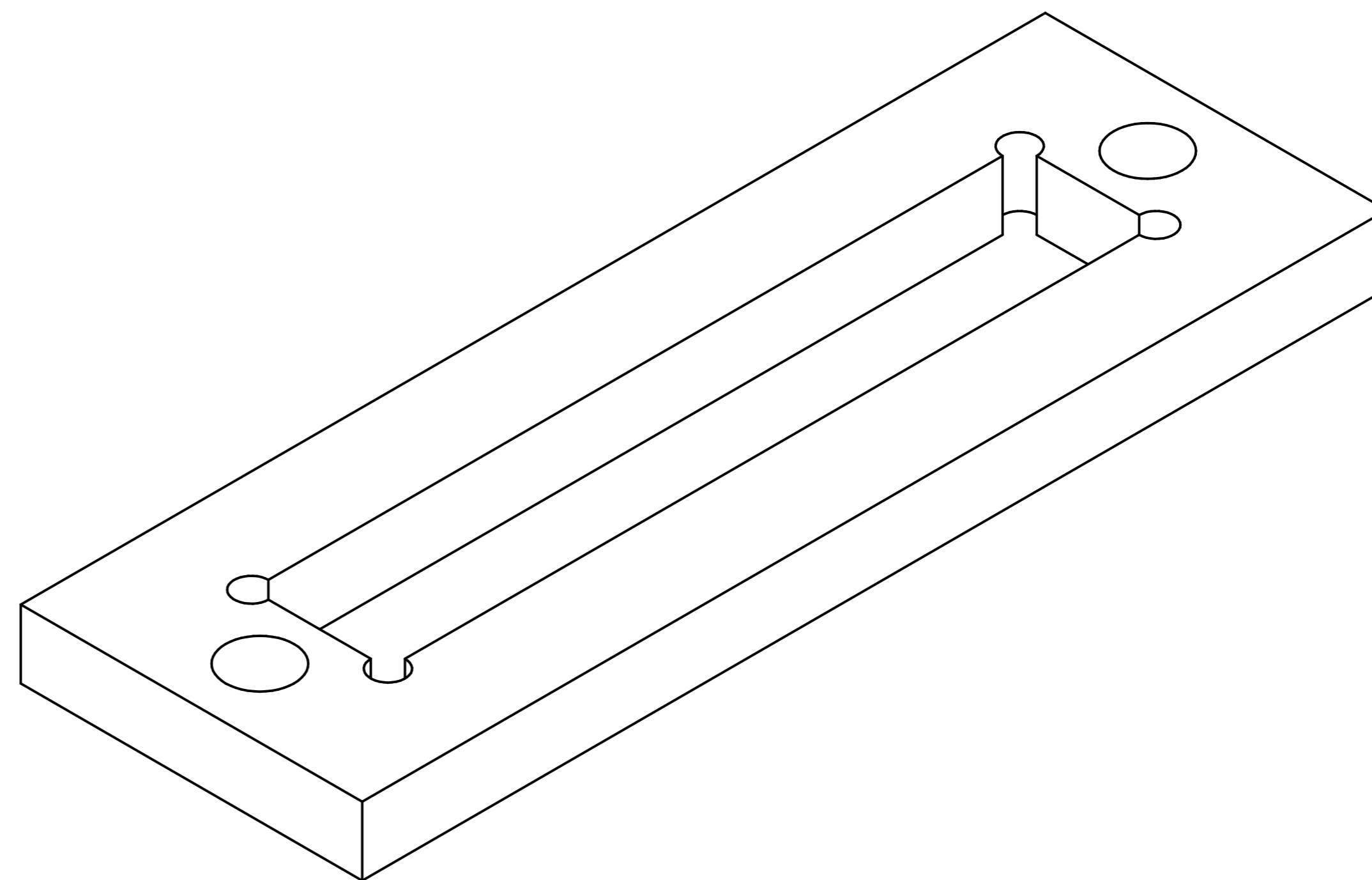
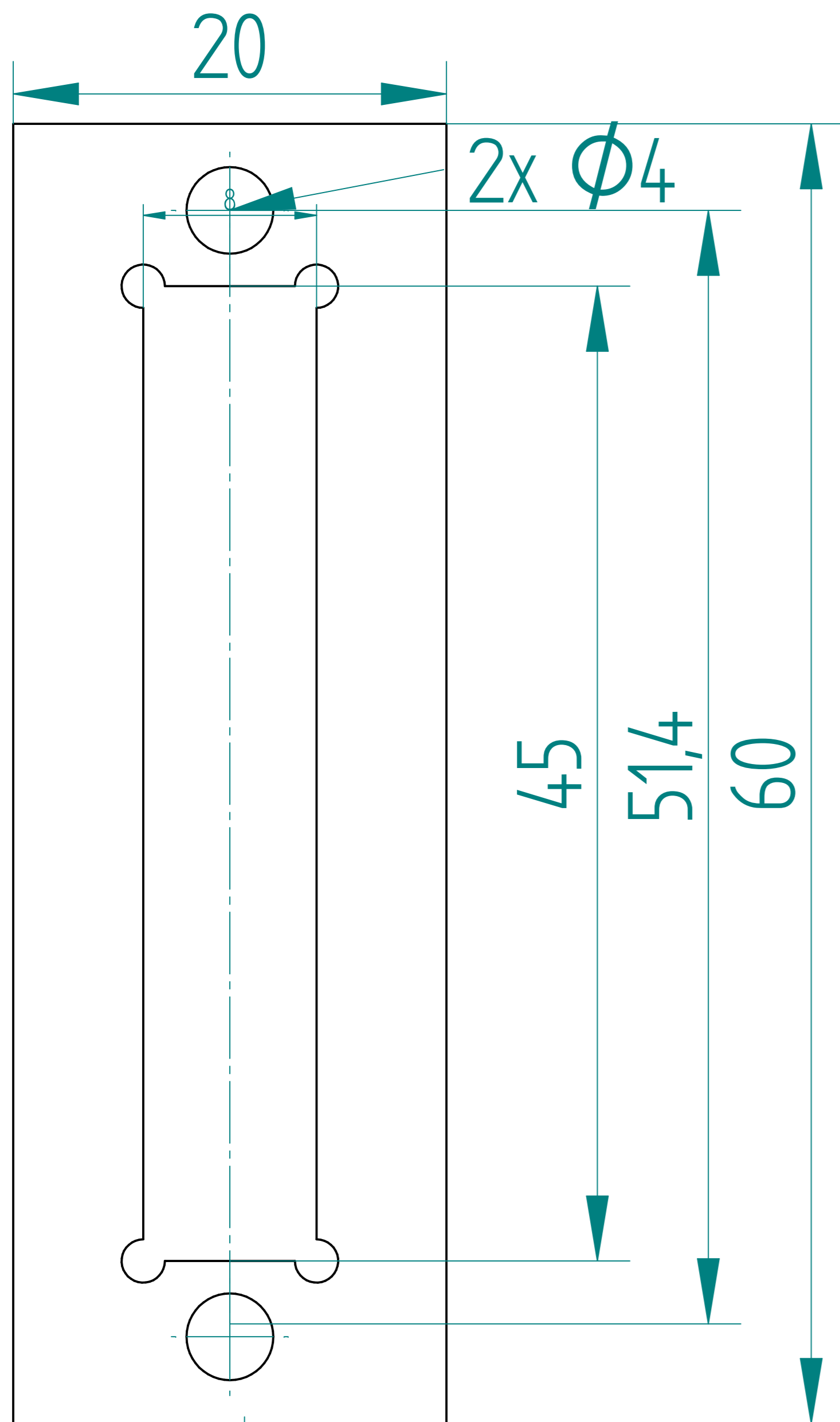


REVISION HISTORY			
REV	DESCRIPTION	DATE	APPROVED

material: aluminum



	NAME	DATE	SOLID EDGE UGS - The PLM Company TITLE aluminum frame for connector and distributor chip SIZE A2 DWG NO FILE NAME: aluminum_frame_connector_chip.dft SCALE: WEIGHT: SHEET 1 OF 1
DRAWN	wilhelm-e	07/12/13	
CHECKED			
ENG APPR			
MGR APPR			
UNLESS OTHERWISE SPECIFIED DIMENSIONS ARE IN MILLIMETERS ANGLES ±X.X° 2 PL ±XXX 3 PL ±XXXX			REV

SOLID EDGE ACADEMIC COPY