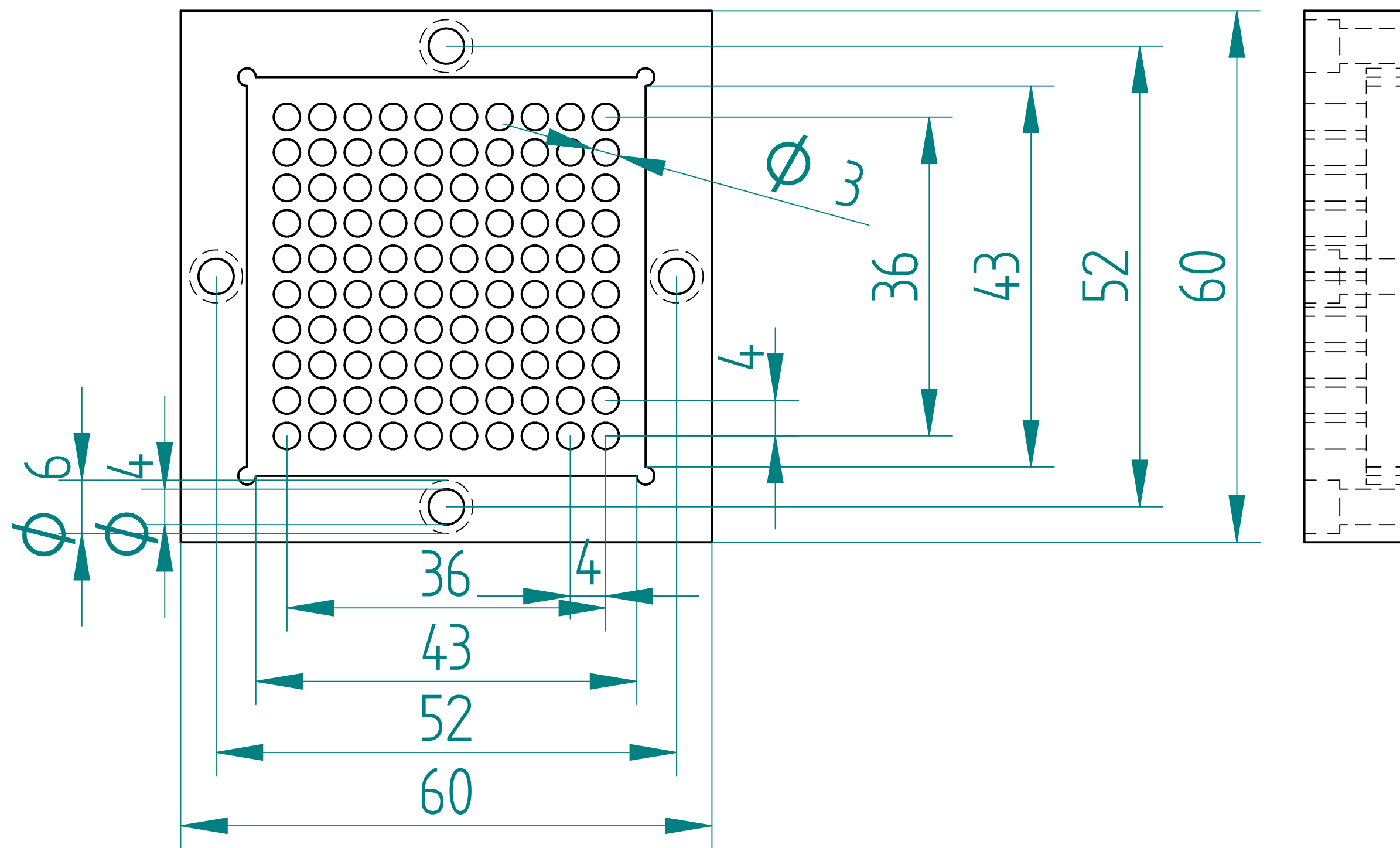
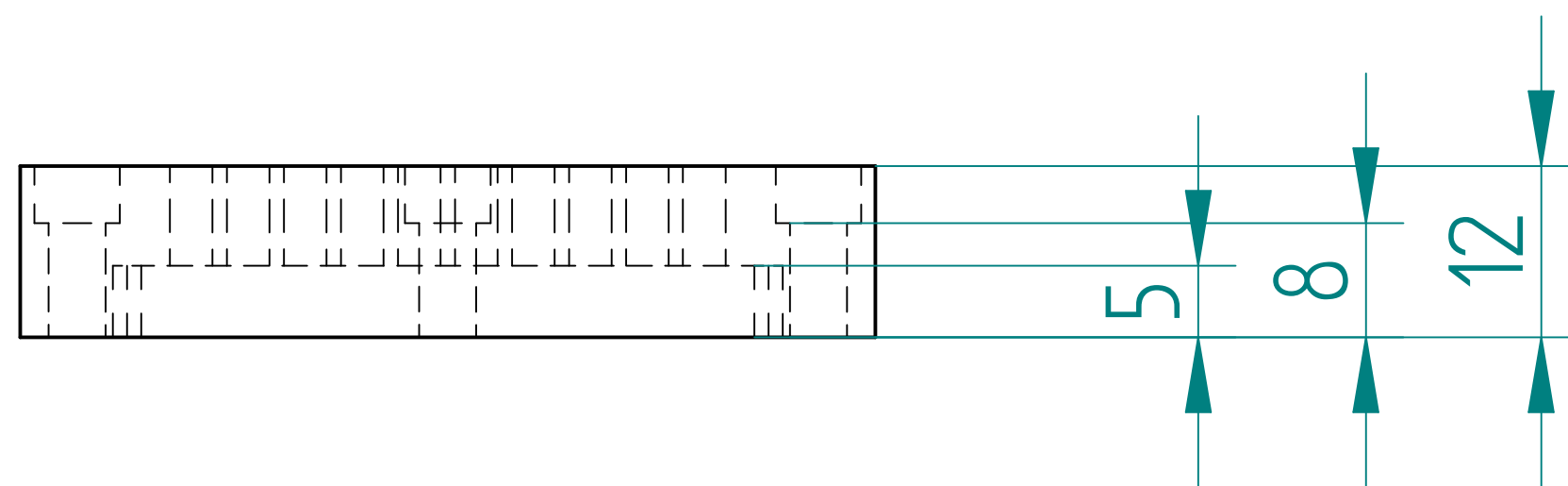
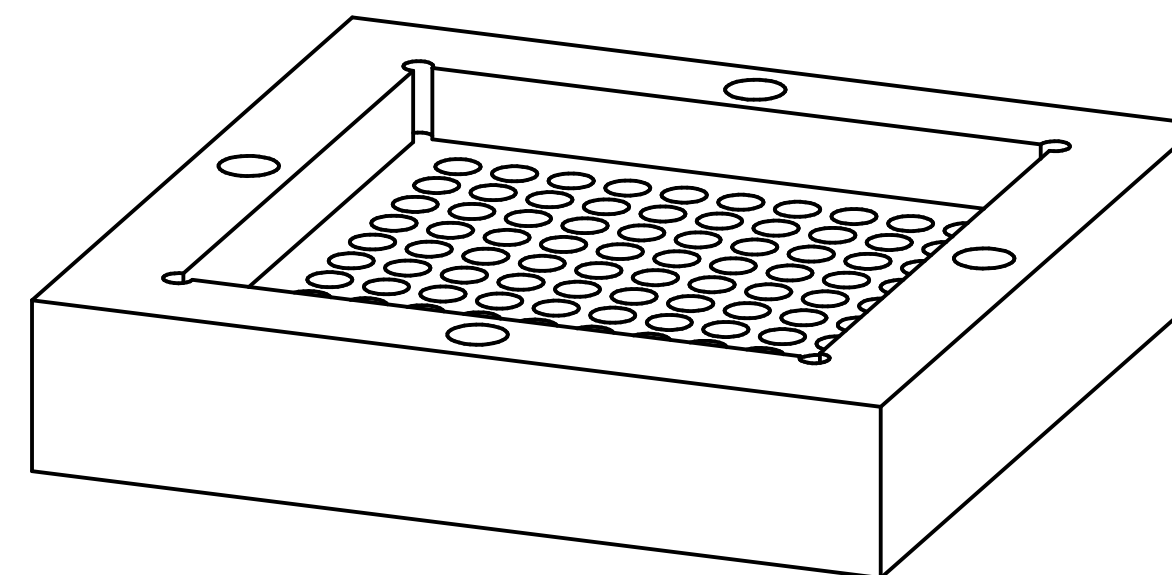


REVISION HISTORY			
REV	DESCRIPTION	DATE	APPROVED



material: aluminum



SOLID EDGE ACADEMIC COPY

	NAME	DATE	Solid Edge		
DRAWN	wilhelm-e	07/12/13			
CHECKED			TITLE aluminum frame CW100		
ENG APPR					
MGR APPR			SIZE A2	DWG NO	REV
UNLESS OTHERWISE SPECIFIED DIMENSIONS ARE IN MILLIMETERS ANGLES ±XX° 2 PL ±XXX 3 PL ±XXXX			FILE NAME: aluminum_frame_CW100.dft		
			SCALE:	WEIGHT:	SHEET 1 OF 1