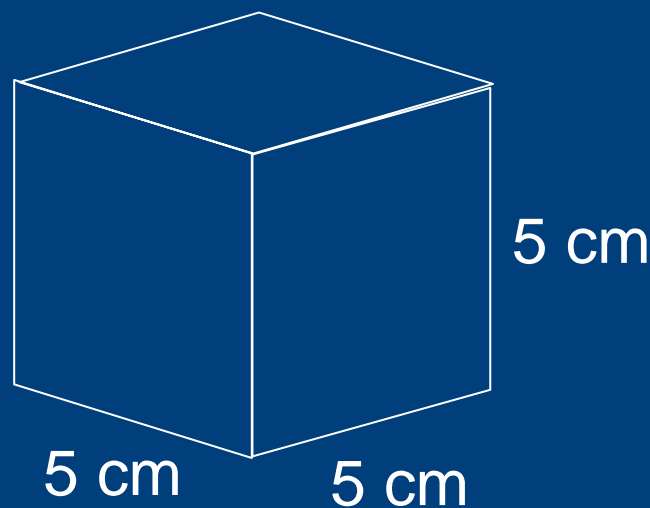


Toughest question at Foundation Tier

Number 26, 4 marks

A solid cube has sides of length 5 cm.

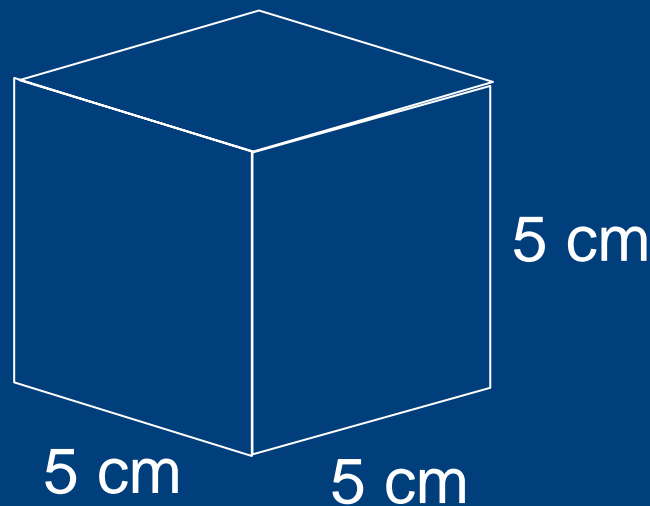


Work out the total surface area of the cube.
State the units of your answer.

Toughest question at Higher Tier

Number 9(a), 4 marks

A solid cube has sides of length 5 cm.



Work out the total surface area of the cube.
State the units of your answer.