

Figure 1. System Diagram

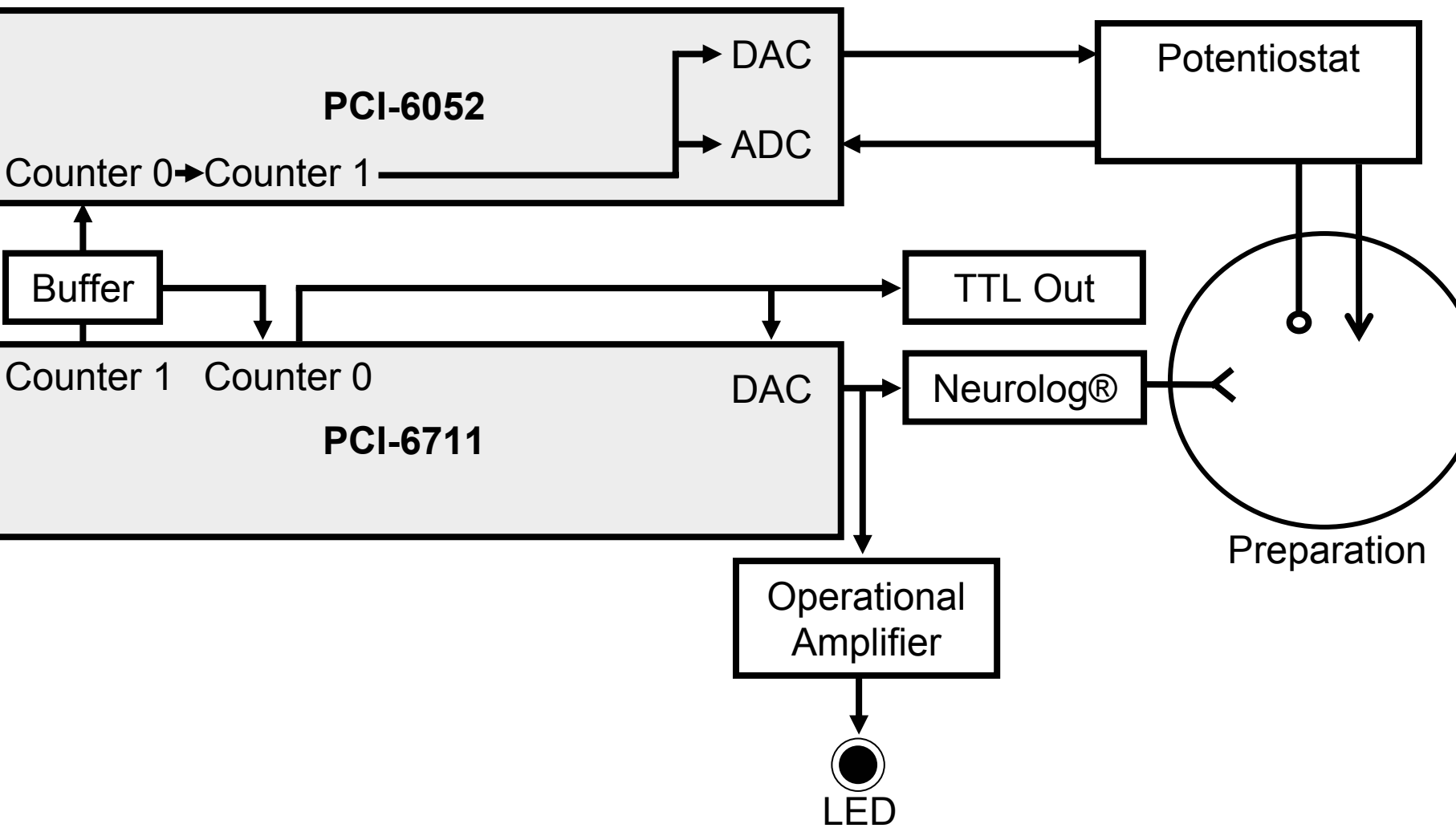


Figure 2. Timing Diagram

CV Freq (Counter 1 on PCI-6711)



Update DAC & ADC Values (Counters 0 & 1 on PCI-6052)



Triangle Waveform (DAC on PCI-6052)



Trigger for Stimulus generation or TTL (Counter 0 on PCI-6711)



Stimulus Waveform (DAC on PCI 6711)

