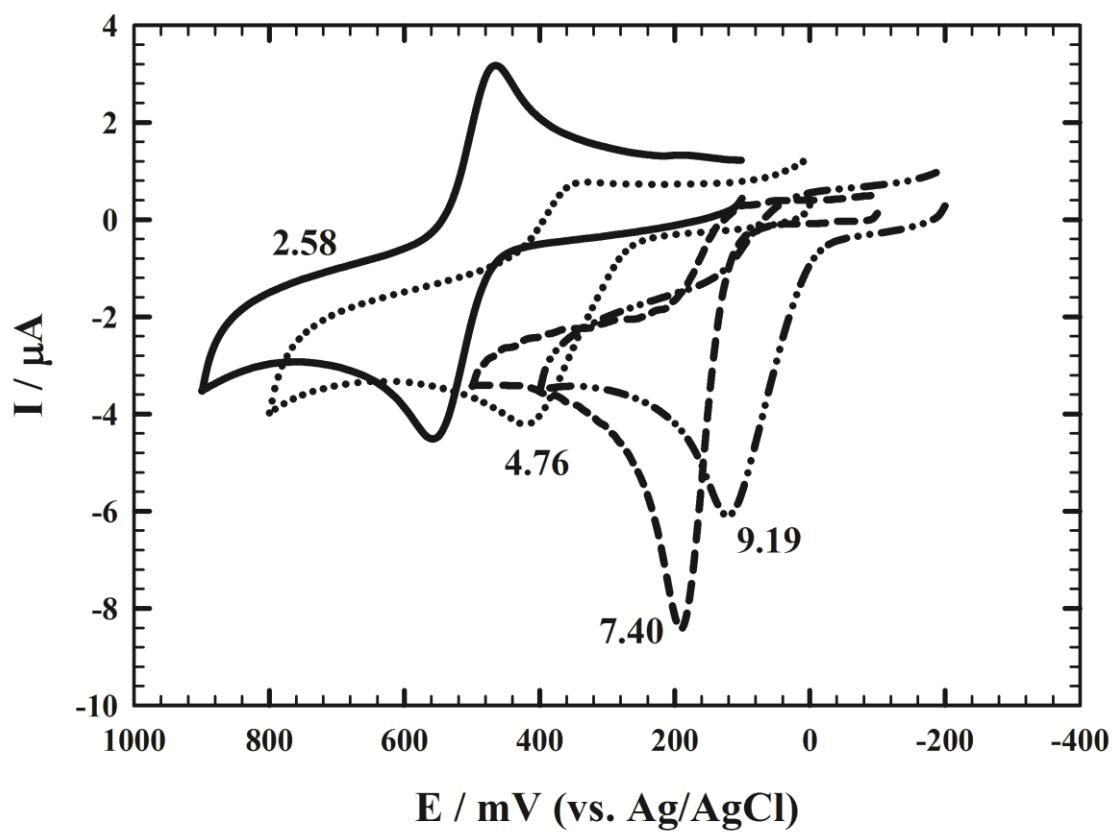
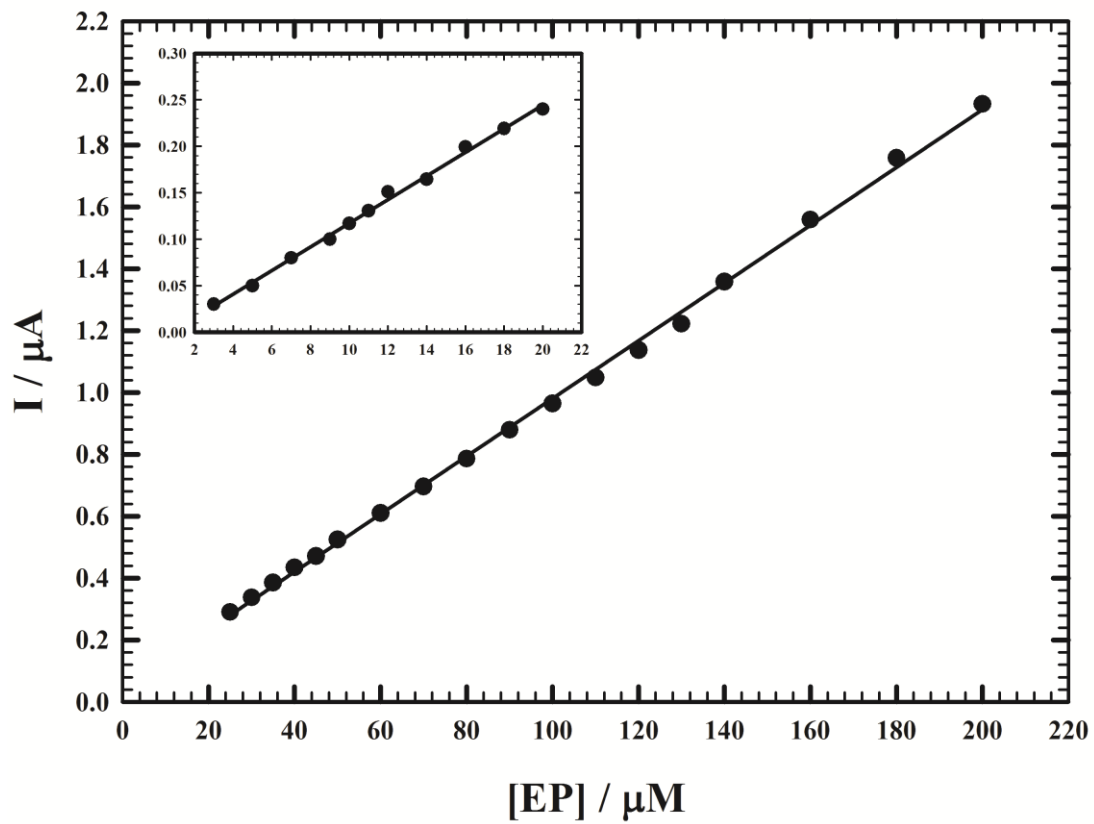


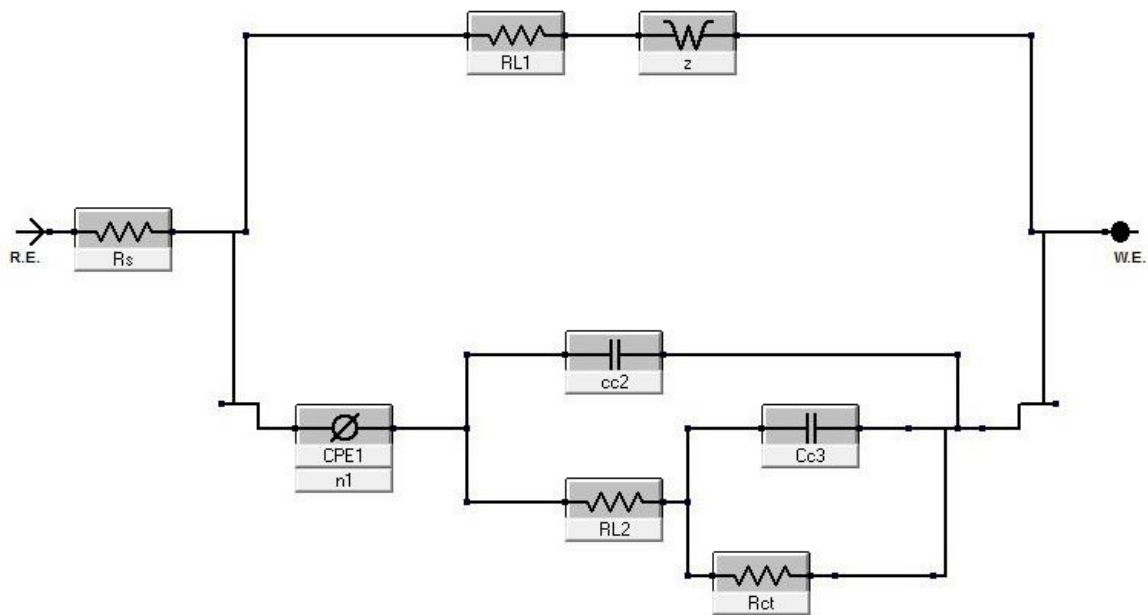
Supplement (1)



Supplement (2)



Supplement (3)



**Supplement (4)**