

Underway determination of dissolved inorganic carbon in estuarine waters by gas-diffusion flow analysis with C^4D detection

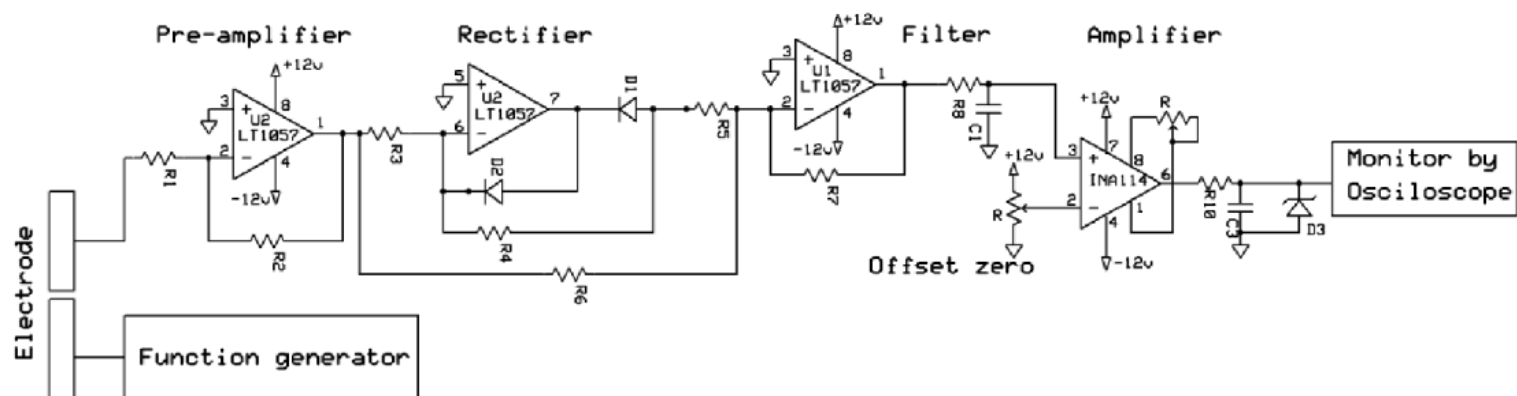


Figure S1

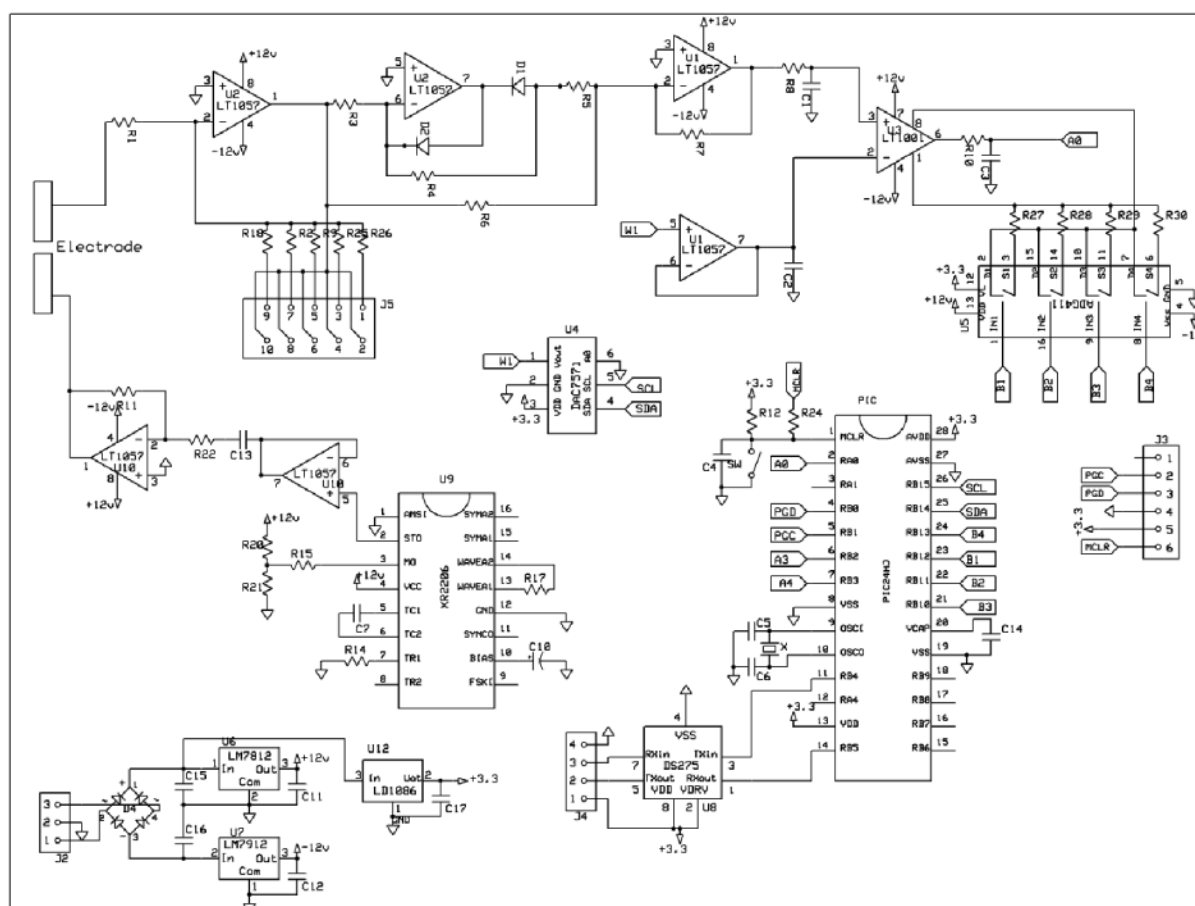


Figure S2