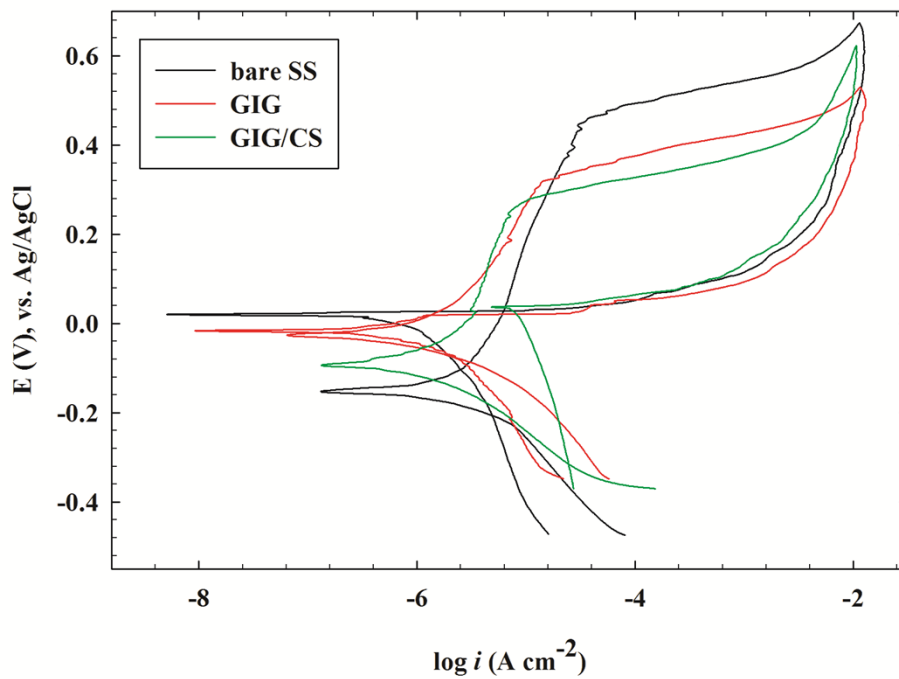
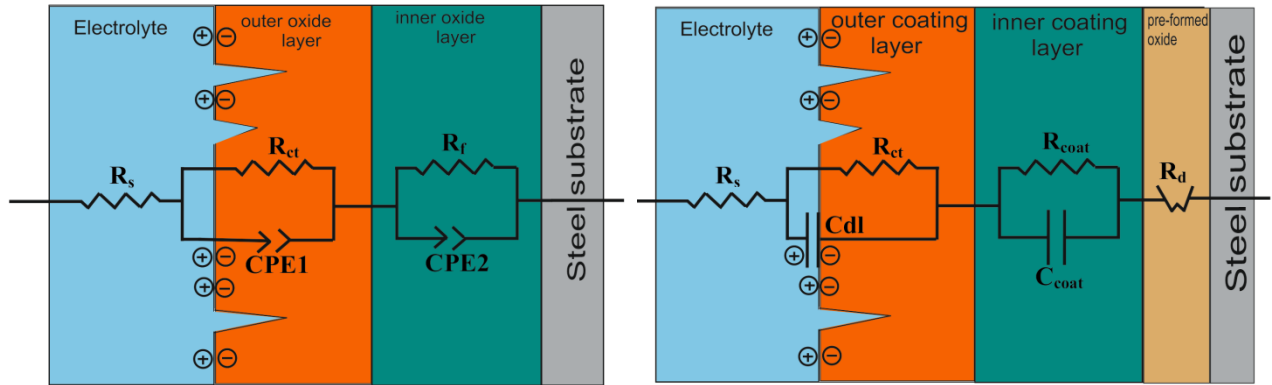


Supplement 1. Raman spectrum of pristine GIG



Supplement 2. Cyclic potentiodynamic curves indicating the pitting potential comparing bare, GIG-coated, GIG/CS-coated stainless steel (scan rate 1 mV s^{-1}) in 3.5% NaCl



Supplement 3. Simulated equivalent circuits for the bare AISI 316 and the GIG-coated AISI 316