

Supplementary information

Development of flexible and stretchable tactile sensor array with two different structures for robotic hand application

Xiaozhi Wang¹, Tianbai Xu¹, Shurong Dong¹, Shijian Li^{2*}, Liyang Yu³, Wei Guo¹, Hao Jin¹, Jikui Luo^{3,4}, Zhaohui Wu², Jong Min King⁵

1. Key Laboratory of Micro-nano Electronic Devices and Smart Systems of Zhejiang Province, College of Information Science & Electronic Engineering, Zhejiang University, Hangzhou 310027, China;
2. College of Computer Science, Zhejiang University, Hangzhou 310027, China;
3. College of Electron Infor., Hangzhou Dianzi University, Hangzhou 310018, China.
4. Inst. of Renew. Energ. & Environ. Technol., University of Bolton, Deane Road, Bolton BL3 5AB, United Kingdom

1. PCB testing circuits

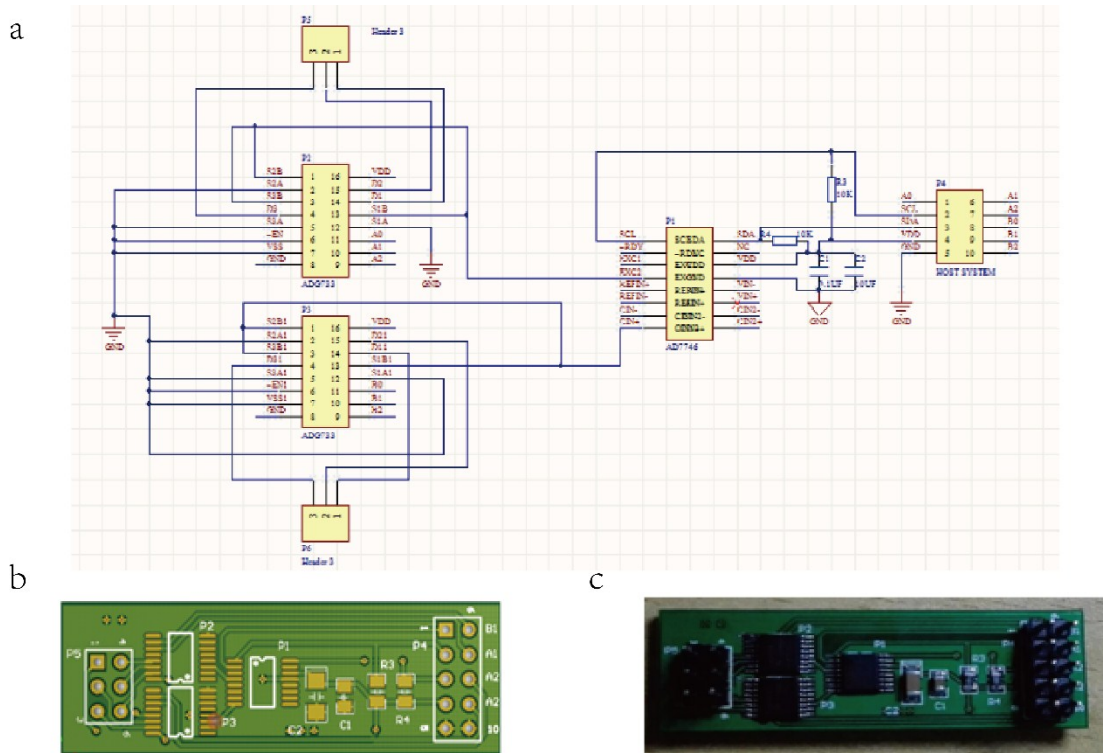


Figure S1. Schematic of the circuit (a) for sensor capacitance measurement and its layout (b) and (c).

2. MCU development PCB board (a) and testing system

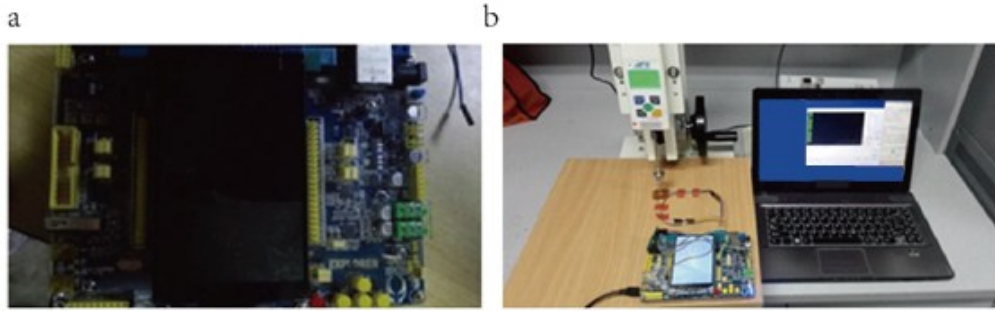


Figure S2. STM32F4 MCU development PCB board (a) and testing system (b).