

Supporting Information

Biomimetic material functionalized mixed matrix membranes for enhanced carbon dioxide capture

Yiming Zhang,^a Huixian Wang,^b Siyu Zhou,^a Jing Wang,^a Xuezhong He,^c Jindun Liu^a
and Yatao Zhang^{a*}

^a *School of Chemical Engineering and Energy, Zhengzhou University, Zhengzhou 450001,
China. E-mail: zhangyatao@zzu.edu.cn*

^b *School of Civil Engineering and Communication, North China University of Water Resources
and Electric Power, Zhengzhou 450045, China*

^c *Department of Chemical Engineering, Norwegian University of Science and Technology, NO-
7491, Norway*

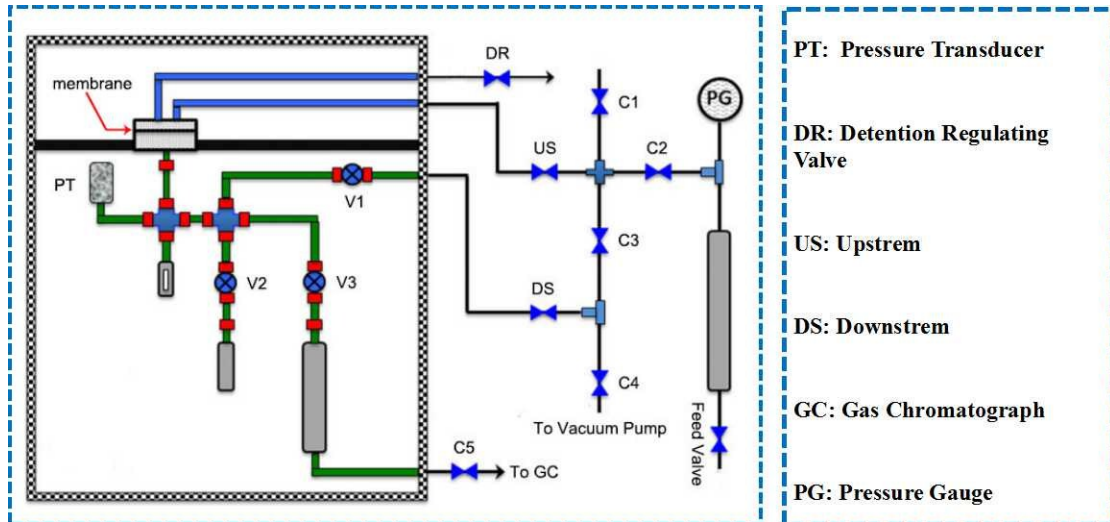


Fig. S1 Schematic diagram of membrane gas permeability test apparatus.