

Supporting information

Indoloindole as a new building block of hole transport type host for stable operation in the phosphorescent organic light-emitting diodes

Ha Lim Lee, Kyung Hyung Lee, Jun Yeob Lee*

School of Chemical Engineering, Sungkyunkwan University
2066, Seobu-ro, Jangan-gu, Suwon-si, Gyeonggi-do, 440-746, Korea

Fax: (+) 82-31-299-4716

E-mail: leej17@skku.edu

* To whom correspondence should be addressed

List of Figures

Figure S1. The phosphorescent spectra of IDID and mIDIDP.

Figure S2. The device energy diagram (a) mIDIDP:TPBi and (b) TCTA:TPBi device.

Figure S3. The power efficiency-luminance plots of mIDIDP:TPBi and TCTA:TPBi device.

Figure S4. The current efficiency-luminance plots of mIDIDP:TPBi and TCTA:TPBi device.

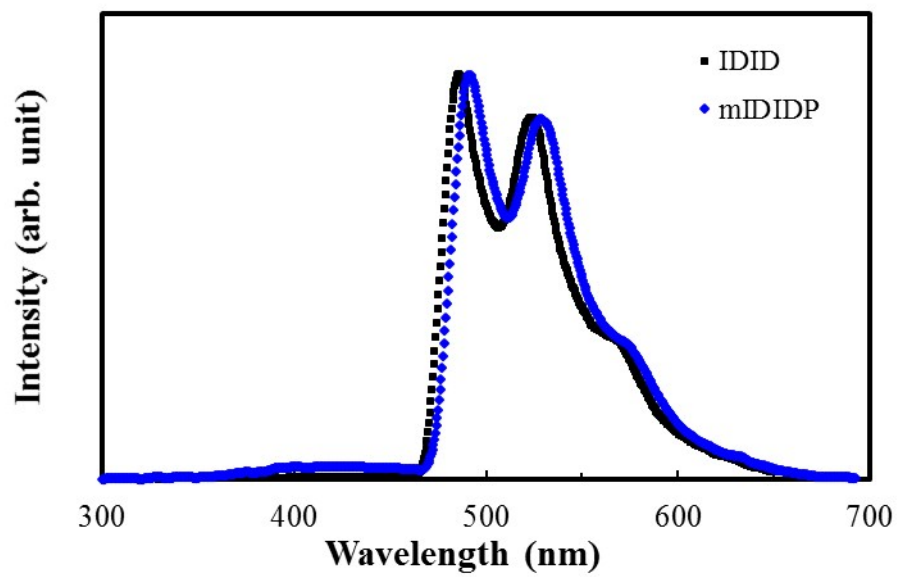
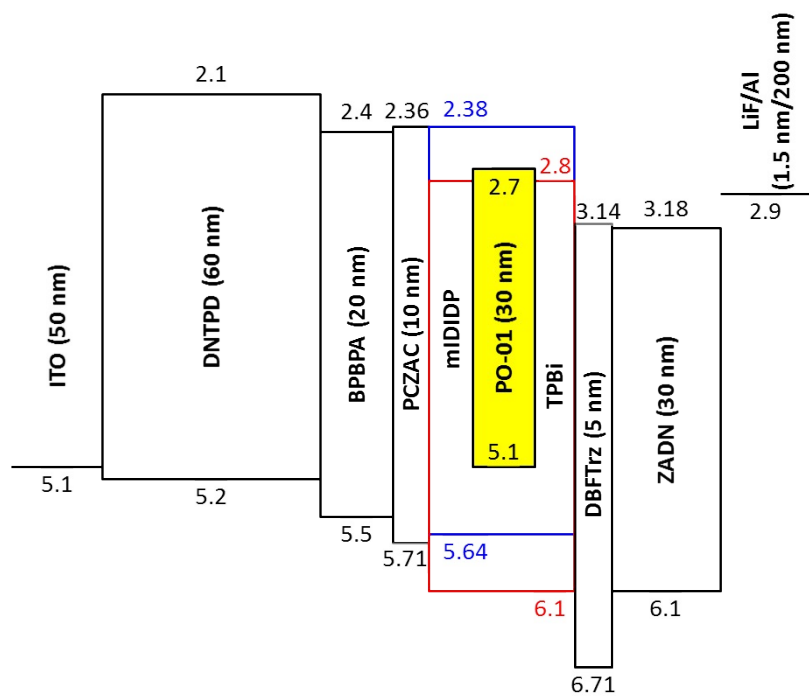


Figure S1.

(a)



(b)

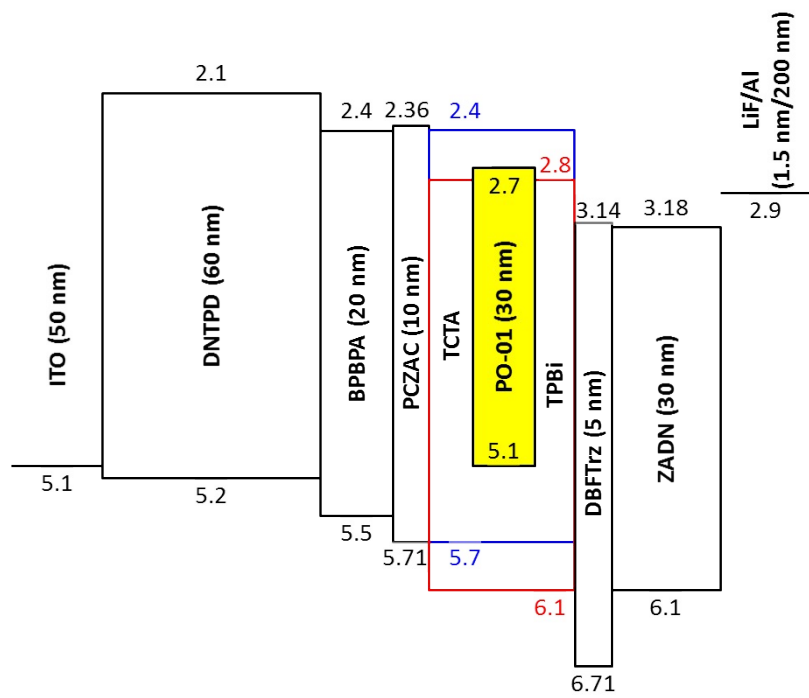


Figure S2.

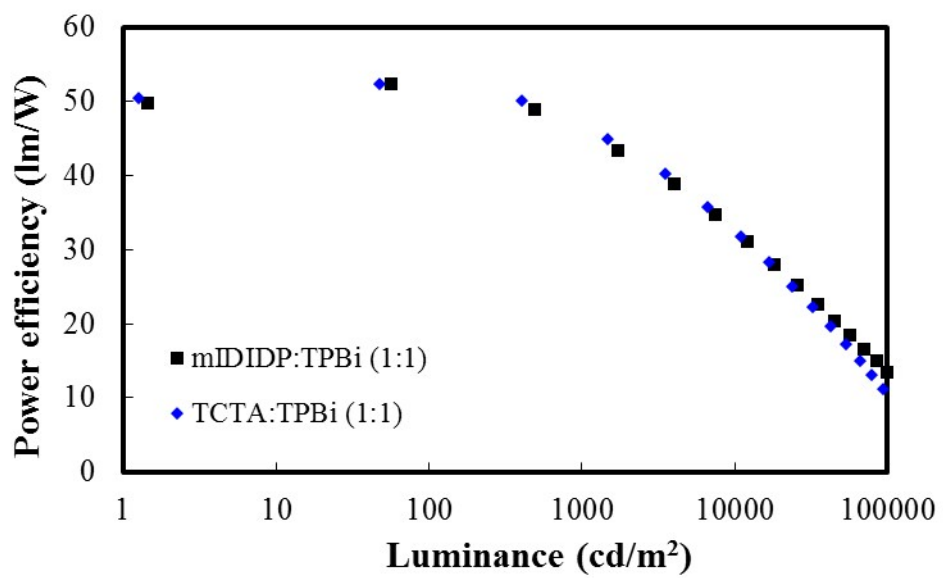


Figure S3.

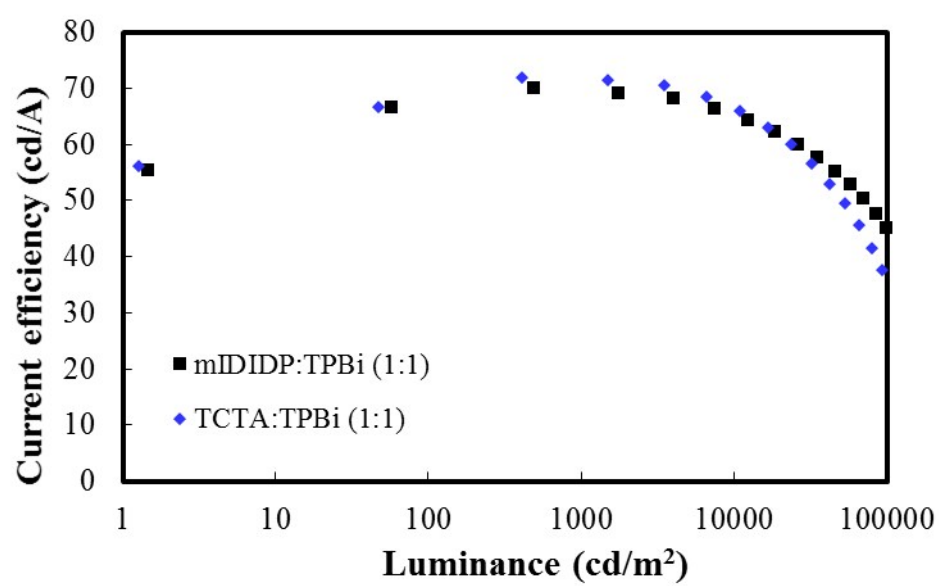


Figure S4.