

Supplementary Data — X-Ray Crystallography (4 pages)

- Manuscript:** Bromiodinanes with an I(III)-Br bond: preparation, X-ray crystallography and reactivity as electrophilic brominating agents
- Authors:** D. Christopher Braddock, Gemma Cansell, Stephen A. Hermitage and Andrew J.P. White
- Fig. S1** The molecular structure of **3b** (50% probability ellipsoids).
- Fig. S2** View of **3b** in parallel projection along the I–C(1) vector showing the twist of the O–I–Br unit *vis-à-vis* the phenyl ring.
- Fig. S3** The linking by pairs of I···O interactions of adjacent centrosymmetrically related molecules of **3b** into dimer pairs; the I···O separation **a** is *ca.* 3.03 Å.
- Fig. S4** The molecular structure of **4** (50% probability ellipsoids).
- Fig. S5** View of **4** in parallel projection along the I–C(1) vector showing the twist of the O–I–Br unit *vis-à-vis* the phenyl ring.
- Fig. S6** The linking by pairs of I···O interactions of adjacent centrosymmetrically related molecules of **4** into dimer pairs; the I···O separation **a** is *ca.* 2.94 Å.

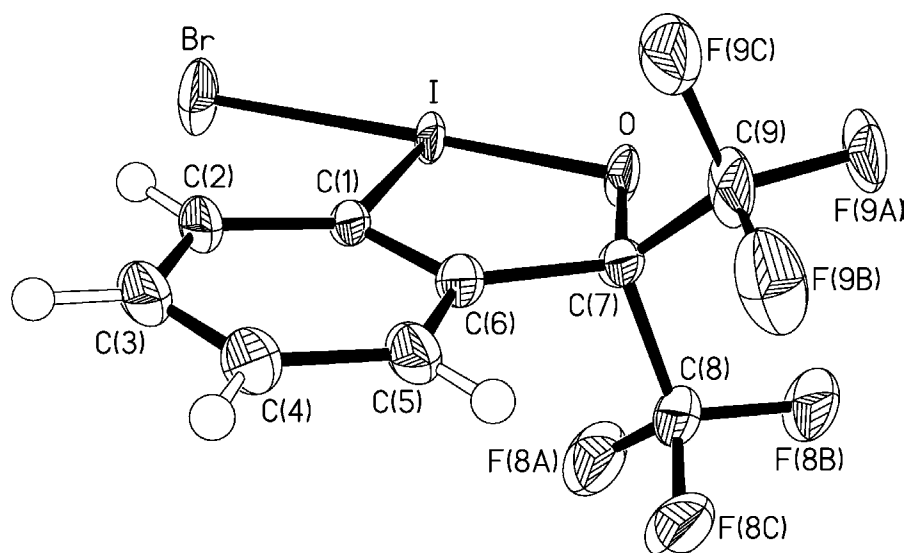


Fig. S1

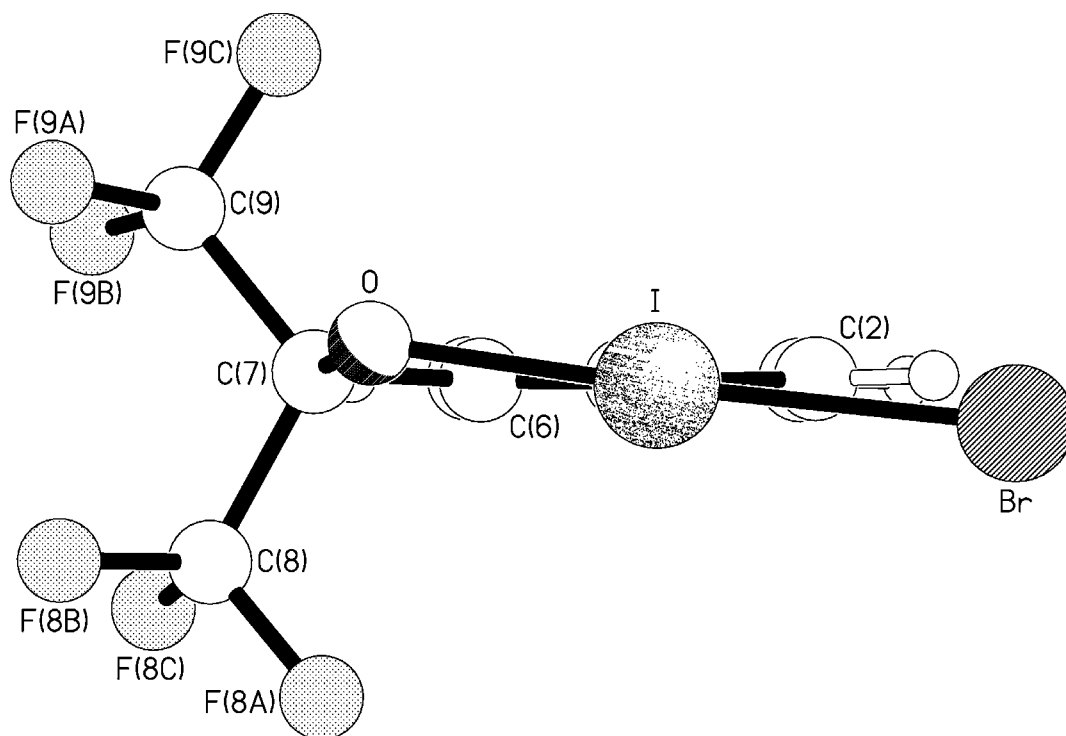


Fig. S2

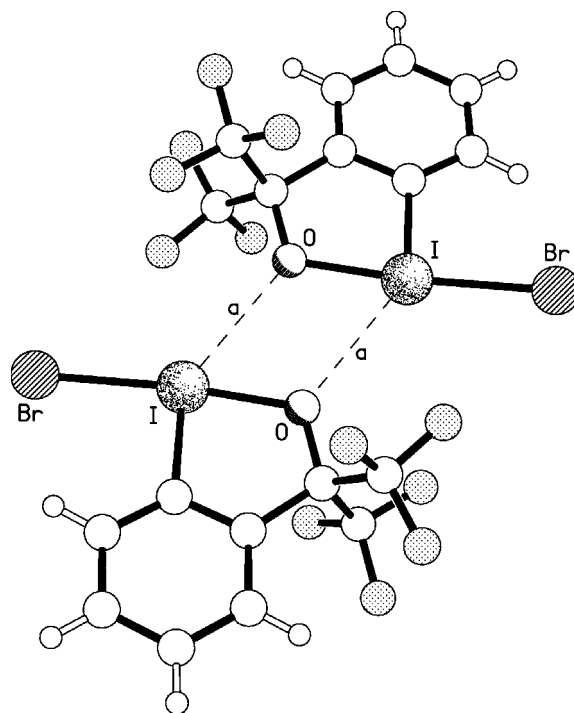


Fig. S3

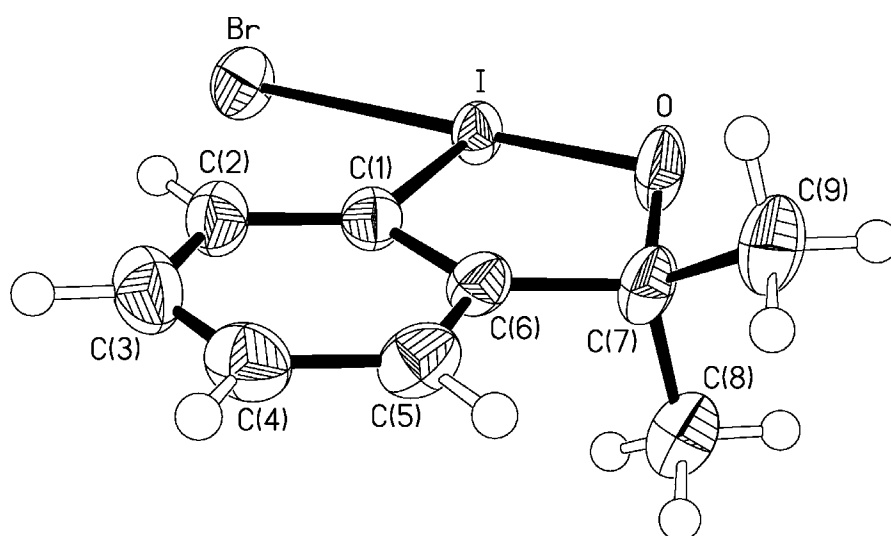


Fig. S4

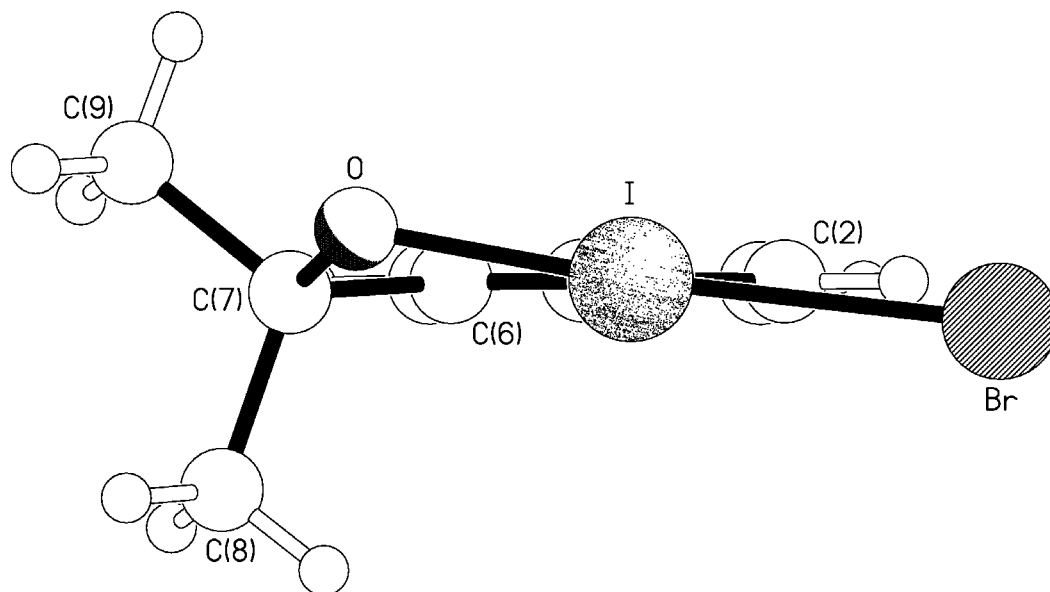


Fig. S5

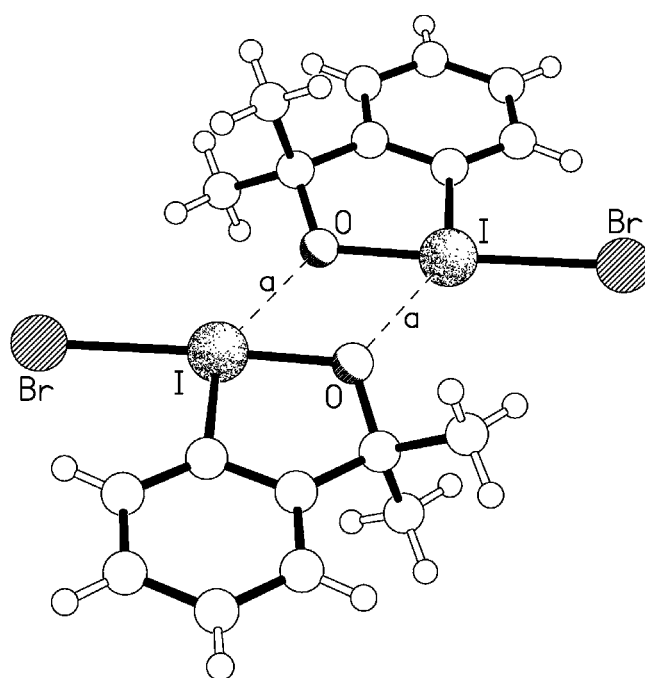


Fig. S6