

Supplemental Information

Interplay between water uptake, ion interactions, and conductivity in an e-beam grafted poly(ethylene-co-tetrafluoroethylene) anion exchange membrane

Tara P. Pandey,^a Ashley M. Maes,^a Himanshu N. Sarode,^a Bethanne D. Peters,^a Sandra Lavina,^c Keti Vezzù,^c Yuan Yang,^b Simon D. Poynton,^d John R. Varcoe,^d Soenke Seifert,^e Matthew W. Liberatore,^a Vito Di Noto,^c and Andrew M. Herring.^{a,*}

^a Department of Chemical and Biological Engineering and ^bDepartment of Chemistry and Geochemistry, Colorado School of Mines, Golden, CO 80401, USA.

^c Department of Chemical Sciences, University of Padova, Via Marzolo 1, I-35131 Padova, Italy

^d Department of Chemistry, University of Surrey, Guildford GU2 7XH, UK

^e X-Ray Science Division, Argonne National Laboratory, Argonne, IL 60439, USA

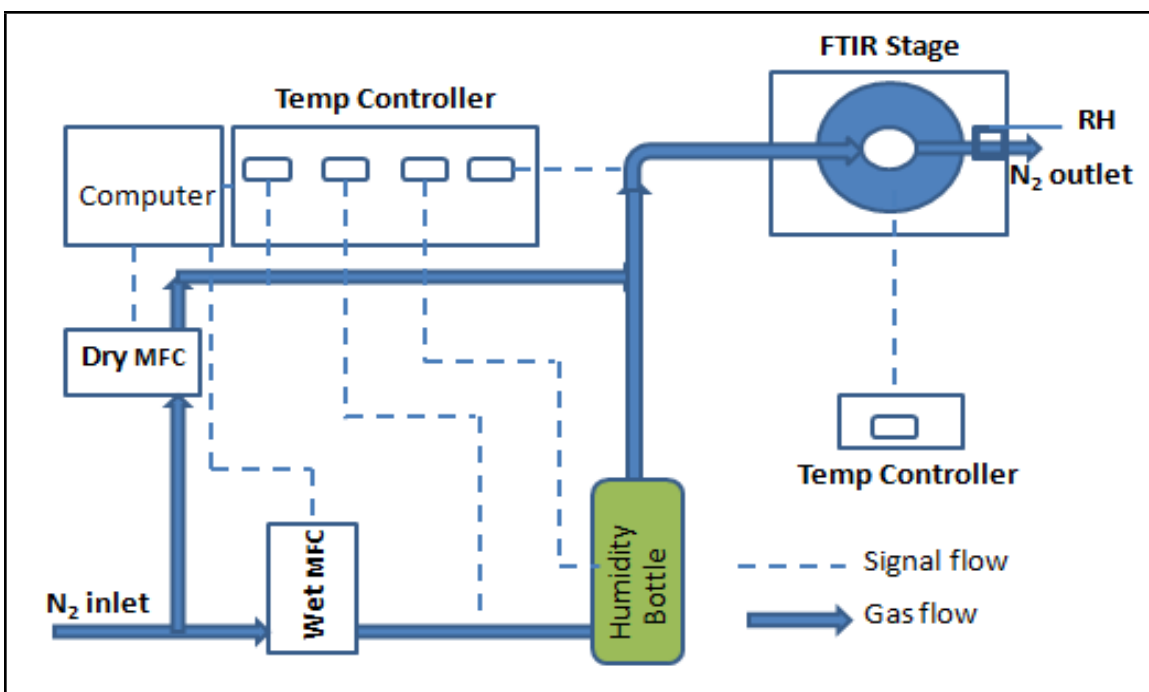


Figure S1: A schematic of a custom-built environmental control setup for the FT-IR spectroscopy

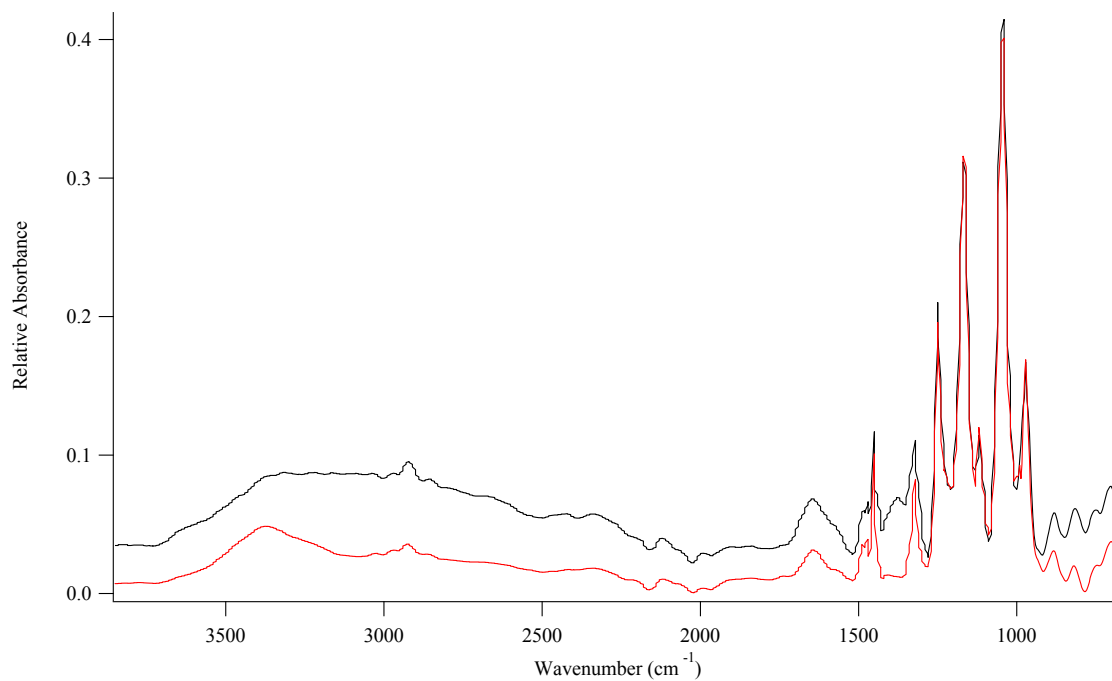


Figure S2: FT-IR spectra before (black) and after (red) conductivity measurements in hydroxide form.