

SUPPLEMENTARY INFORMATION

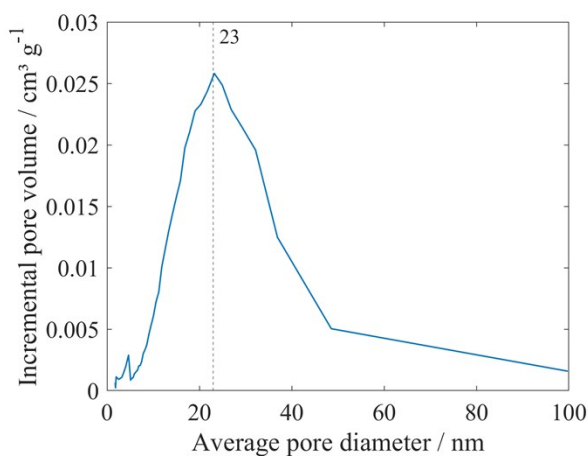


Figure S1: BJH adsorption pore size distribution

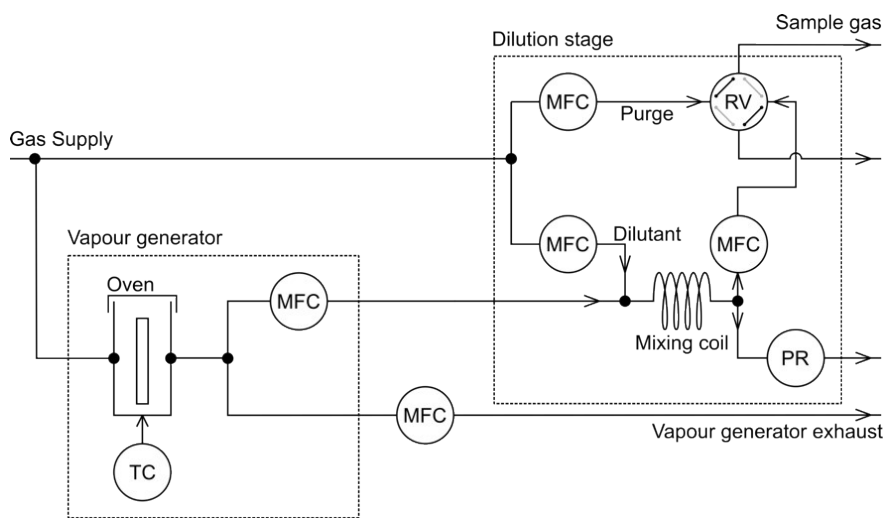


Figure S2: Schematic diagram of the gas system (TC = temperature controller; MFC = mass-flow controller; RV = rotary valve; PR = pressure regulator)