

Table S1 DAG-recovered gene expression

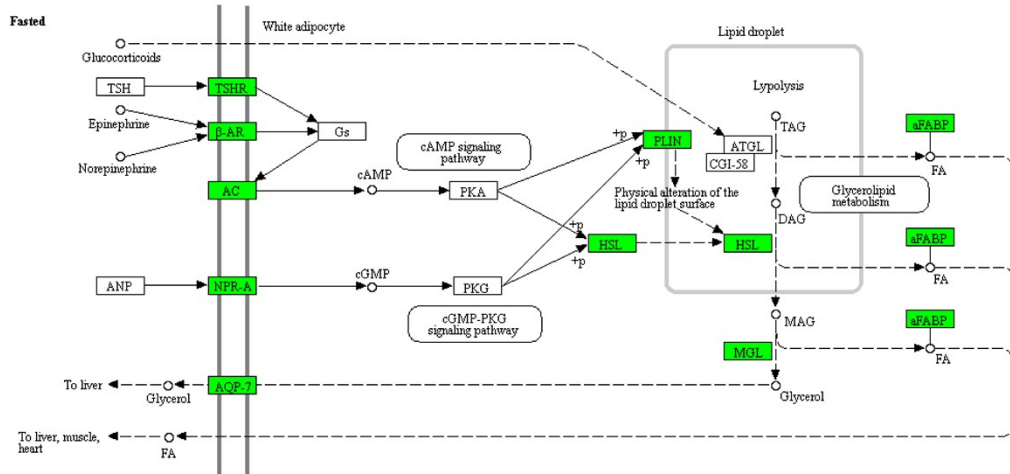
Genes	Expression					Regulation			
	DAGL	DAGM	DAGH	Control	Model	DAGL	DAGM	DAGH	Model
Rcsd1	2.74	4.78	5.04	5.34	16.75	Down	Down	Down	Up
RT1-N3	9.65	3.55	7.93	6.50	20.04	Down	Down	Down	Up
Arhgap9	1.97	2.13	3.21	3.40	10.85	Down	Down	Down	Up
Arhgap4	5.35	6.60	6.76	9.30	24.95	Down	Down	Down	Up
Il2rg	2.12	2.41	3.63	4.70	16.60	Down	Down	Down	Up
Klf2	3.98	4.01	8.04	7.56	30.28	Down	Down	Down	Up
Dbp	4.24	2.21	11.51	8.75	25.65	Down	Down	Down	Up
Ets1	6.02	6.55	10.83	10.73	50.41	Down	Down	Down	Up
Gimap5	1.29	1.15	1.56	1.70	6.71	Down	Down	Down	Up
Abcg1	1.52	1.25	2.37	1.86	6.19	Down	Down	Down	Up
Sept1	8.21	7.85	11.30	14.45	41.64	Down	Down	Down	Up
Cnn2	6.69	13.10	16.37	15.29	53.88	Down	Down	Down	Up
Satb1	1.29	3.18	2.81	3.29	17.18	Down	Down	Down	Up
Limd2	13.51	12.77	20.50	27.79	101.36	Down	Down	Down	Up
Rasa3	1.96	1.92	3.96	3.03	12.67	Down	Down	Down	Up
Gimap6	3.51	3.16	4.54	4.35	16.09	Down	Down	Down	Up
Pik3cd	2.52	3.57	4.98	5.26	23.32	Down	Down	Down	Up
Sh2d3c	1.05	1.53	2.12	2.20	6.02	Down	Down	Down	Up
Cytip	10.31	3.74	6.48	8.62	35.90	Down	Down	Down	Up
Slc44a2	4.91	6.22	7.08	7.98	26.58	Down	Down	Down	Up
Dock10	1.25	1.31	2.10	2.32	8.75	Down	Down	Down	Up

Fyb	3.89	3.34	4.17	4.77	18.24	Down	Down	Down	Up
Ptprc	6.45	4.94	11.74	14.73	79.88	Down	Down	Down	Up
Sept6	2.90	6.39	6.52	6.14	20.11	Down	Down	Down	Up
Slfn5	14.42	11.10	15.34	16.69	34.44	Down	Down	Down	Up
Arhgap30	2.65	2.55	5.03	5.19	18.51	Down	Down	Down	Up
Irak3	1.19	1.97	2.04	2.20	7.12	Down	Down	Down	Up
Evl	6.52	9.71	10.06	12.68	39.70	Down	Down	Down	Up
Lck	4.32	3.50	5.20	6.99	36.15	Down	Down	Down	Up
Trib2	2.05	2.48	3.13	3.12	9.42	Down	Down	Down	Up
Fxyd5	6.93	7.07	11.27	11.09	39.02	Down	Down	Down	Up
Msn	6.74	9.74	13.51	13.23	40.26	Down	Down	Down	Up
Map4k2	1.72	2.21	3.08	3.29	8.94	Down	Down	Down	Up
Dock11	1.77	1.80	2.37	2.83	7.93	Down	Down	Down	Up
S1pr1	2.70	4.22	6.96	6.47	27.78	Down	Down	Down	Up
Lcp2	2.79	3.29	3.92	4.20	13.08	Down	Down	Down	Up
Gimap8	1.54	2.08	2.11	1.80	8.02	Down	Down	Down	Up
Fmnl1	1.93	3.22	4.80	6.12	22.13	Down	Down	Down	Up
Arhgdib	16.41	18.36	28.58	32.15	129.55	Down	Down	Down	Up
Dennd1c	3.49	5.86	6.77	8.19	31.28	Down	Down	Down	Up
Acap1	5.18	8.63	9.69	11.31	47.99	Down	Down	Down	Up
Ptp4a3	5.41	11.05	10.49	10.67	28.07	Down	Down	Down	Up
Hmha1	4.18	5.99	8.19	10.46	39.40	Down	Down	Down	Up
Spn	2.16	1.78	2.48	2.42	9.62	Down	Down	Down	Up
Coro1a	15.58	18.87	26.85	36.26	141.60	Down	Down	Down	Up

Nrros	1.53	2.36	2.93	3.30	11.86	Down	Down	Down	Up
Snn	2.76	3.30	4.07	4.06	11.72	Down	Down	Down	Up
Aqp3	88.52	89.52	60.01	88.75	29.62	Up	Up	Up	Down
Duoxa2	18.45	23.72	21.15	21.85	7.83	Up	Up	Up	Down
Clock	3.35	2.31	3.30	4.22	1.13	Up	Up	Up	Down

Figure S1 Regulation of lipolysis adipocytes

A REGULATION OF LIPOLYSIS IN ADIPOCYTES DAGL vs Model



B Model vs Control

