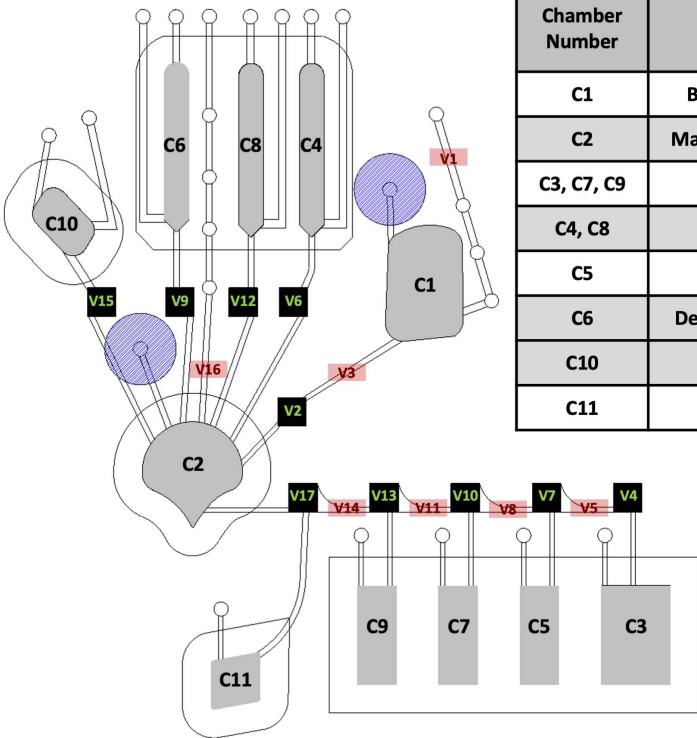


a



b

Chamber Number	Chamber Name
C1	Bisulfite Conversion
C2	Magnetic Manipulation
C3, C7, C9	Reagent Waste
C4, C8	Wash Buffer
C5	Reagent Waste
C6	Desulphonation Buffer
C10	Elate Buffer
C11	BSC Eluate

c

Valve Number	Radial Position (mm)
Valve #1	19.0
Valve #2	33.7
Valve #3	33.3
Valve #4	46.9
Valve #5	46.8
Valve #6	28.9
Valve #7	44.8
Valve #8	44.9
Valve #9	30.9
Valve #10	43.4
Valve #11	43.7
Valve #12	29.4
Valve #13	42.5
Valve #14	43.3
Valve #15	33.2
Valve #16	33.7
Valve #17	42.4

V Normally Closed Valve
 V Channel Closure
 C Reagent Chamber

