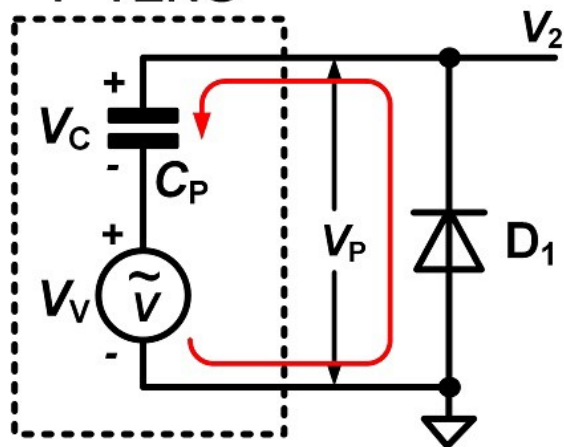


(a) **D₁ in positive bias**

P-TENG



(b) **D₁ in negative bias**

P-TENG

