

Two types of lanthanide selenidostannates(IV) first prepared under same solvothermal conditions

Jian Zhou, Hong Xiao, Hong-Ping Xiao, Tao Yang, Hua-Hong Zou, Xing Liu, Rong-Qing Zhao, and Qiuling Tang

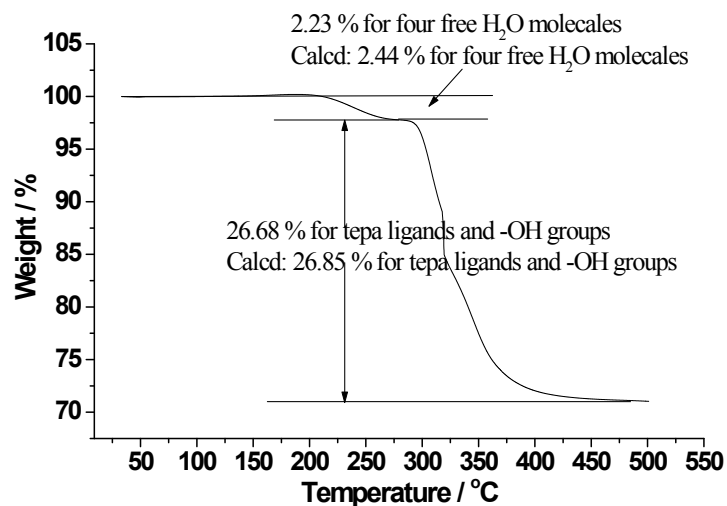
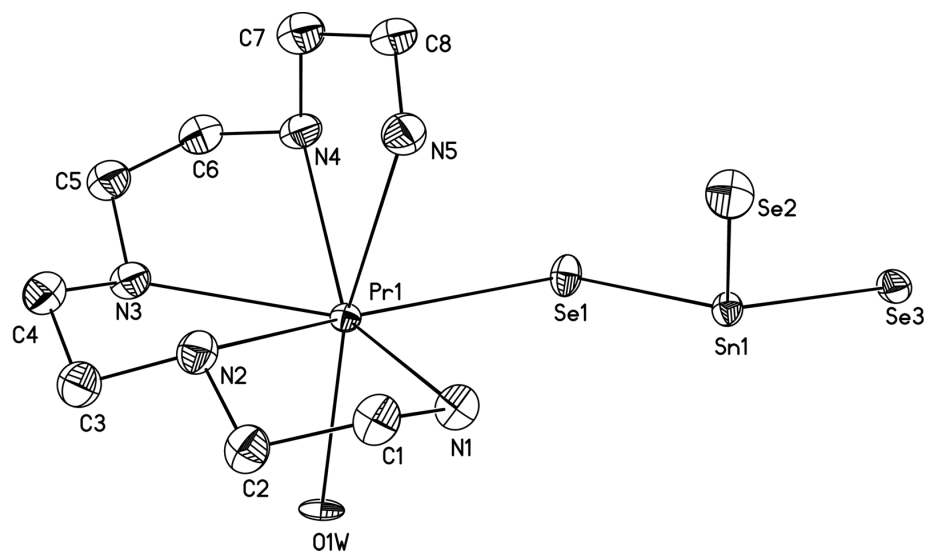


Fig. S1 Thermogravimetric analyse curve of **IIb**.

Ib



IIa

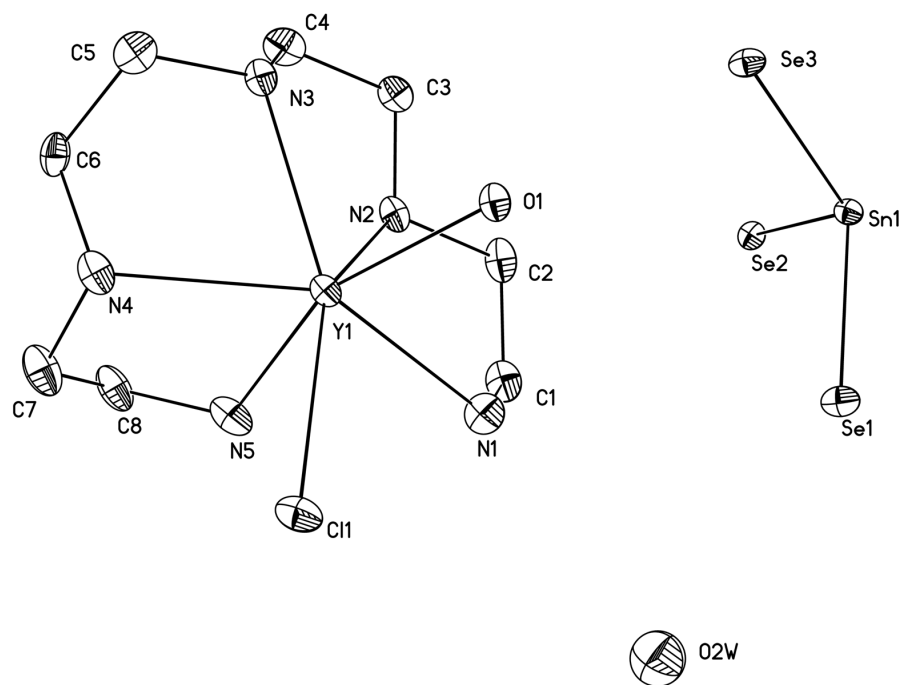


Fig. S2 The asymmetric units of **Ib** and **IIa** (H atoms have been omitted for clarity).