

Supplementary Information

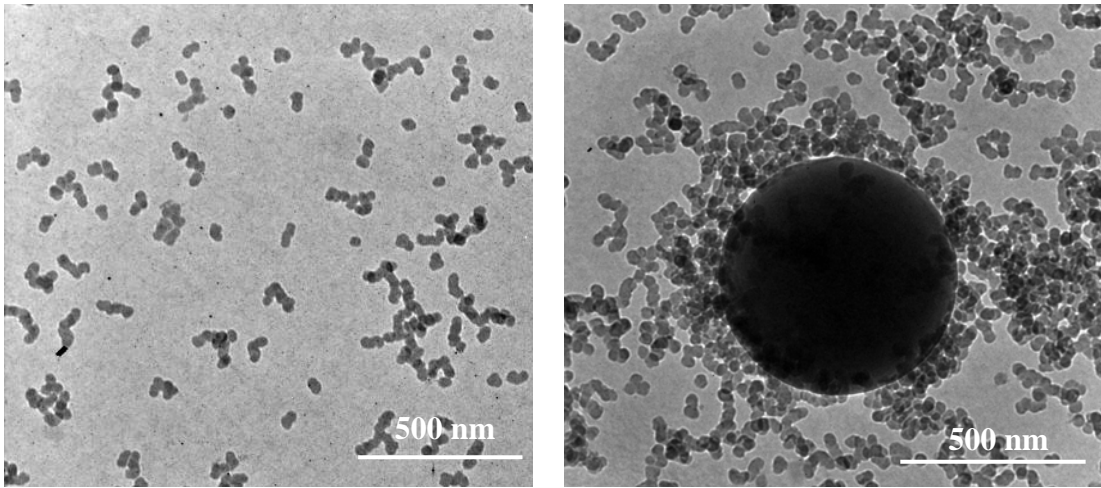


Fig. S1. TEM images of silica and PS colloid particles.

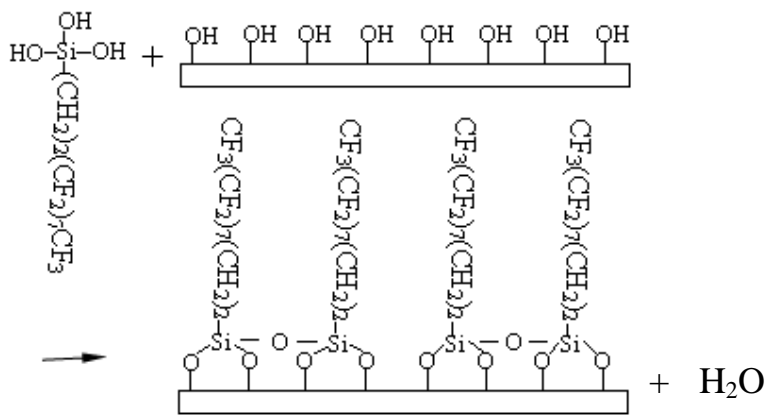


Fig. S2. Scheme of the reaction of the hydrolytic FAS with the glass substrate.