

Precise Control of Wettability from LCST Tunable Surface

Tianyi Zhao,^{1,2} Fu-Qiang Nie,^{*1} Lei Jiang^{*1}

¹ National Laboratory for Molecular Sciences, Key Laboratory of Organic Solids,
Institute of Chemistry, Chinese Academy of Sciences, Beijing 100190, P. R. China

² Graduate School of the Chinese Academy of Sciences, Beijing 100864 (P. R. China)

* Corresponding author: jjanglei@iccas.ac.cn, fqnie@iccas.ac.cn

Tel: 010-82621396, Fax: 010-82627566

Other author's E-mail address: zhaotianyi@iccas.ac.cn

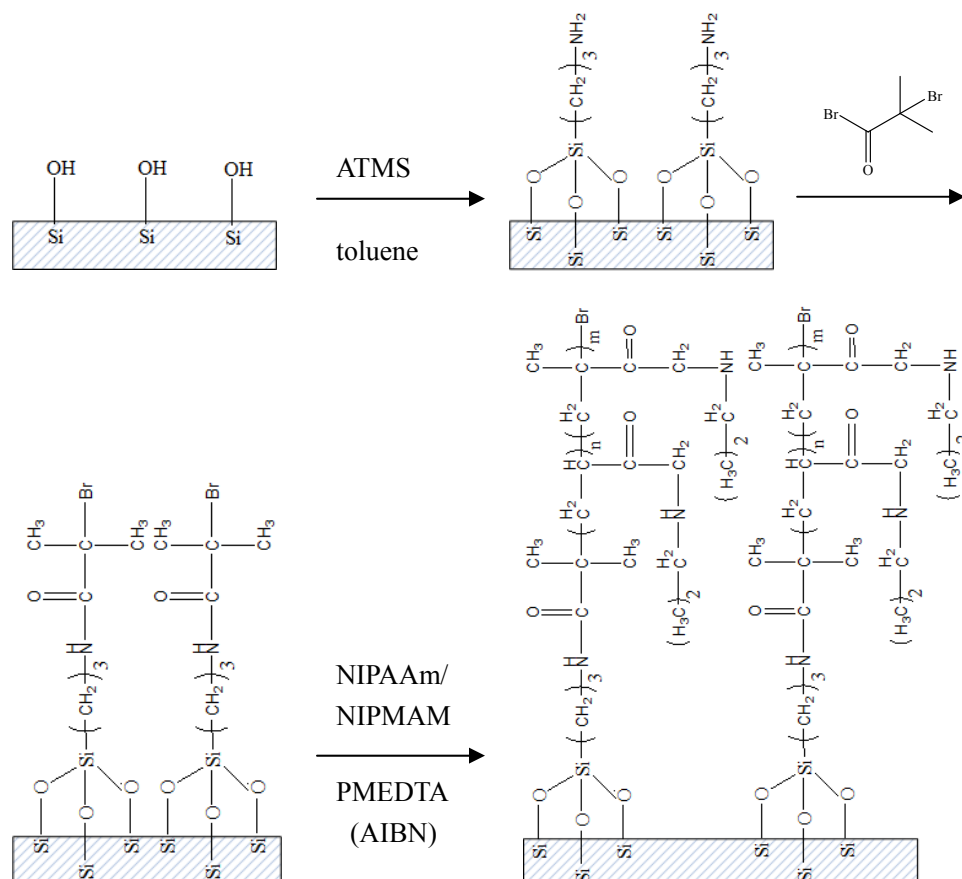


Fig S1. Copolymerization processes of poly(NIPAAm-co-NIPMAM) under different feeding manners of initiators.