

Supporting information

Catalyzing Carbonization of Poly(L-lactide) by Nanosized Carbon Black Combined with Ni₂O₃ for Improving Flame Retardancy

Xin Wen, Jiang Gong, Haiou Yu, Zhi Liu, Dong Wan, Jie Liu, Zhiwei Jiang, and Tao Tang*

5

10

15

20

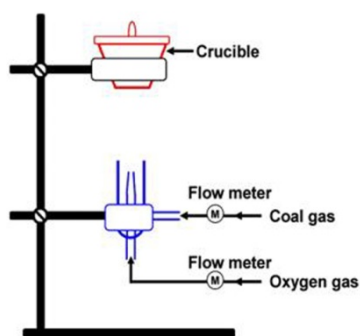


Fig. S1. Schematic diagram of the combustion equipment.

25

30

35

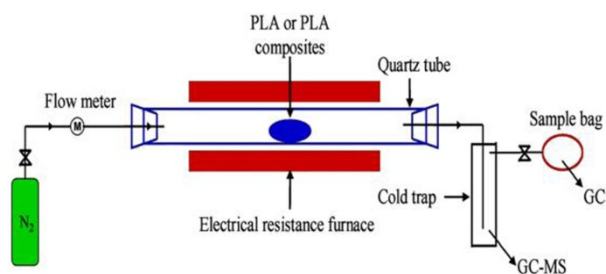


Fig. S2. Schematic diagram of the catalytic pyrolysis for neat PLA and its composites.

40

Table S1 Percentages of various functional groups from the residual char of PLA samples.

Sample	C-C (%)	C-O (%)	C=O (%)	O=C-O (%)
PLA5CB	35.56	41.84	13.81	8.79
PLA5CB5Ni	68.03	13.32	14.27	4.38
PLA5Ni	67.43	8.86	11.00	12.71

45