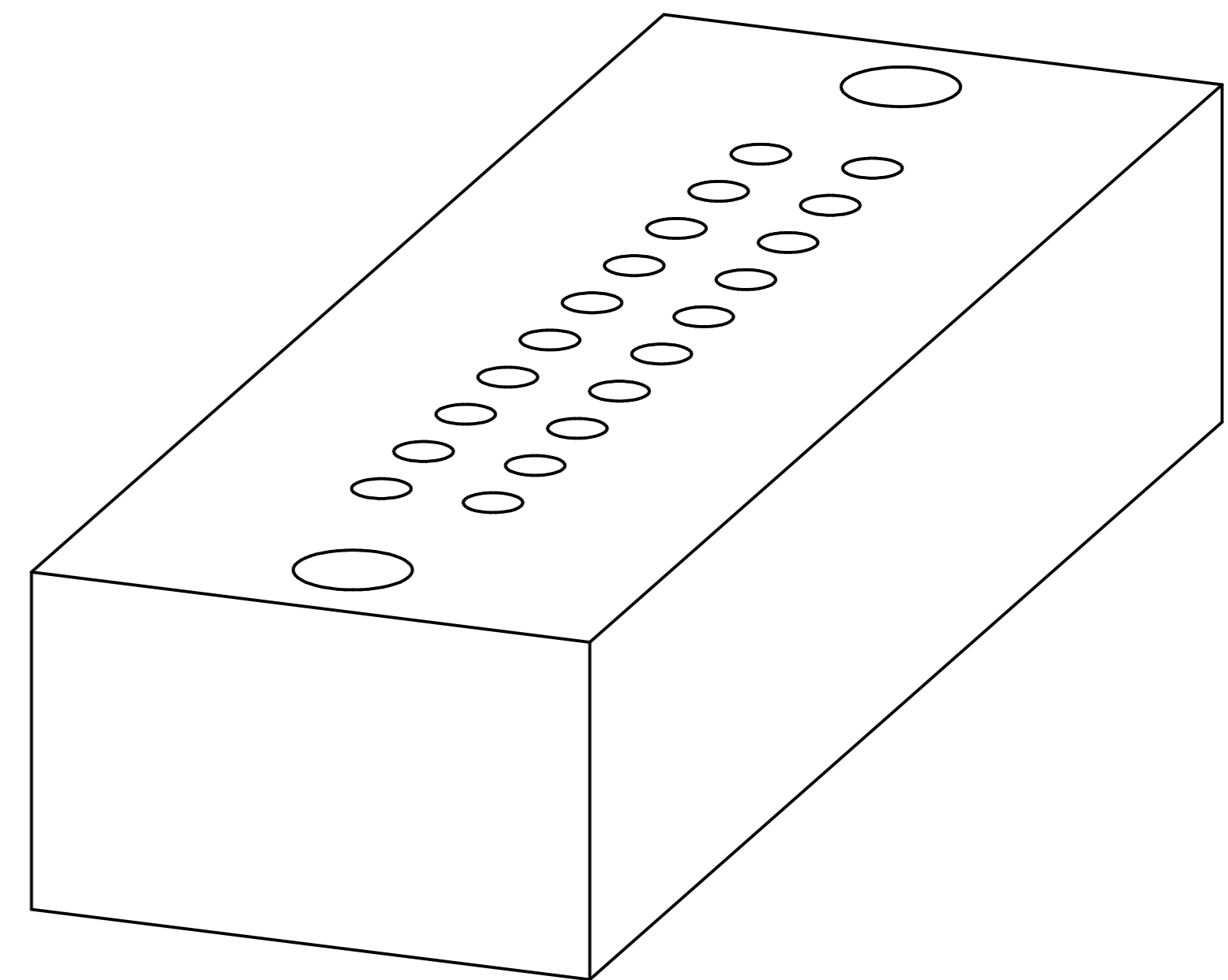
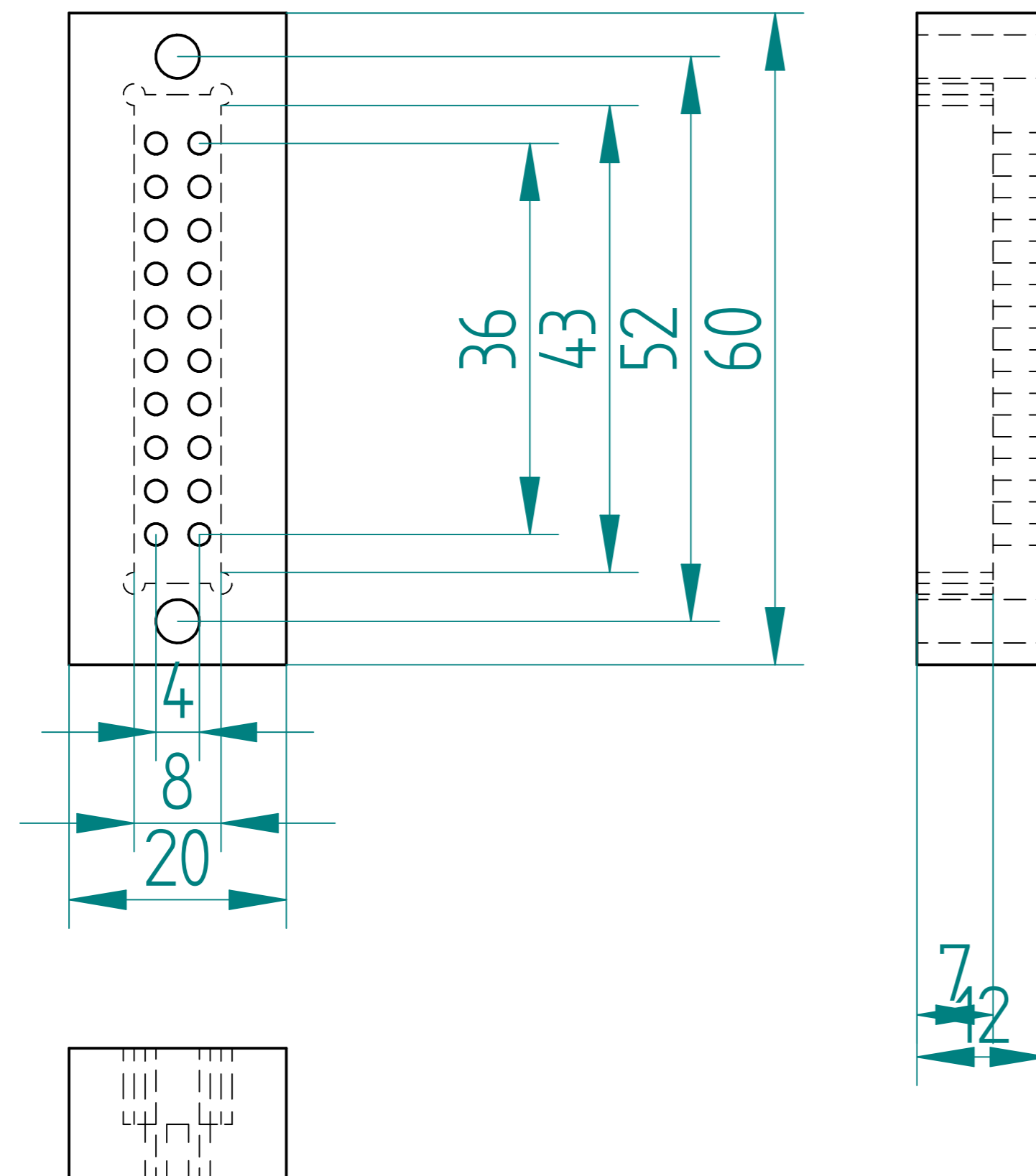


REVISION HISTORY			
REV	DESCRIPTION	DATE	APPROVED

material: aluminum



SOLID EDGE ACADEMIC COPY

	NAME	DATE	Solid Edge	
DRAWN	wilhelm-e	07/12/13	TITLE	
CHECKED			metal frame CW120	
ENG APPR			SIZE	DWG NO
MGR APPR			A2	
UNLESS OTHERWISE SPECIFIED DIMENSIONS ARE IN MILLIMETERS ANGLES ±X.X° 2 PL ±XXX 3 PL ±XXXX			FILE NAME:	REV
			aluminum_frame_CW120.dft	
			SCALE:	WEIGHT:
				SHEET 1 OF 1