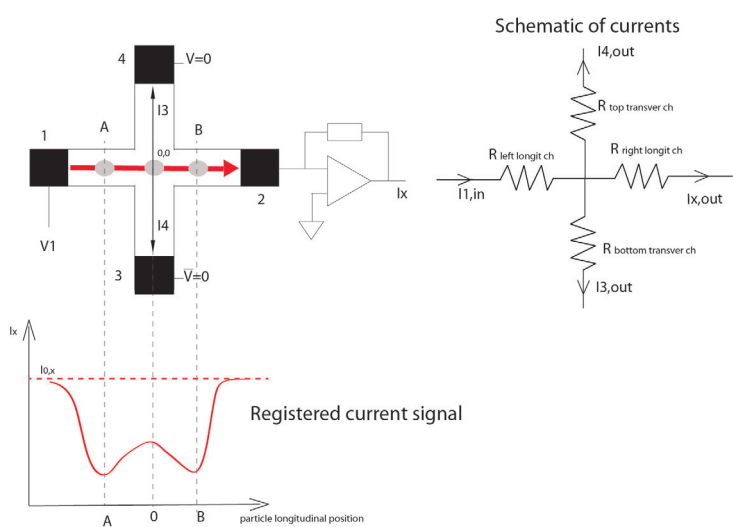


(a)

CH1 - LONGITUDINAL CHANNEL



(b)

CH2 - TRANSVERSE CHANNEL

