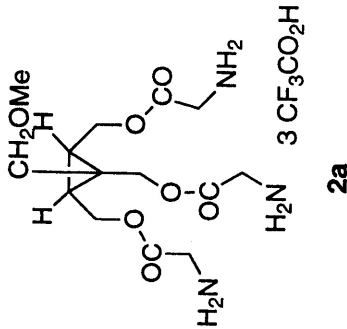


STANDARD 1H OBSERVE

```

exp2 std1h
SAMPLE DEC. & YR
date Oct 12 00 dfrq 399.937
solvent D2O dn H1
file exp 20 dpr 0
ACQUISITION def 0
sfrq 399.938 ds nnn c
tn H1 dm 200
at 3.744 dmf 44928 dseq
sw 5999.3 dres 1.0
zb 3000 homo n
bs 16 PROCESSING
tpr 61 wfile
pw 5.5 proc ft
d1 1.256 fn not used
tof 600.0 math f
nt 16
ct 16 weat react
alock n wexp procpilot
gain not used whs
FLAGS
il n
in n
dp Y
hs mn
DISPLAY
sp -80.1
wp 4079.2
vr 3071
sc 0
wc 380
hnm 10.74
is 670.73
rf1 2250.9
rfp 1851.7
th 20
ins 100.000
nm ph
  
```



2a

^1H NMR (D_2O , 400 MHz)

