

Shadow ribbon: a detailed study of complex chemical plants with a simple integrated approach

R. Monitto, N. Tuccitto

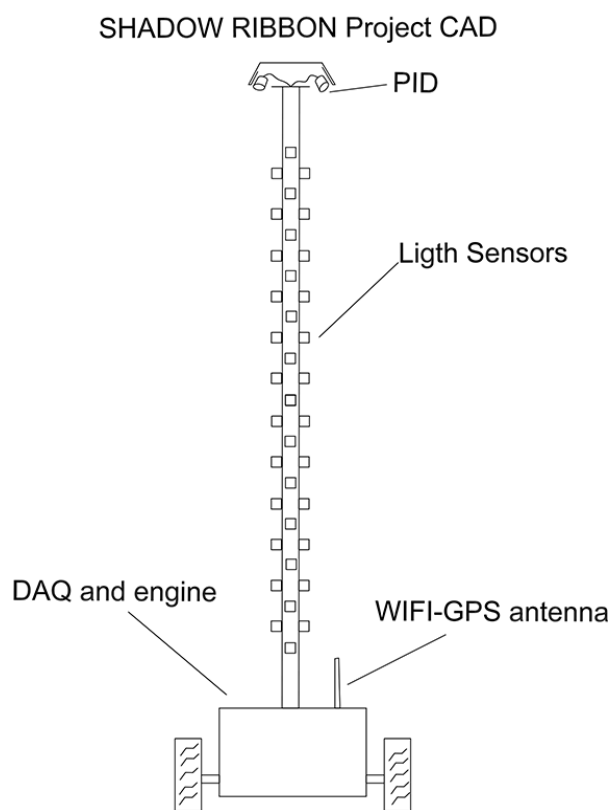


Fig.1 CAD sketch of Shadow Ribbon project
