

Supplementary Material (ESI) for Soft Matter
This journal is (c) The Royal Society of Chemistry 2009

Elastin-like polypeptides of different molecular weight show independent transition temperatures when mixed - Supplementary information

Rosalie L.M. Teeuwen,^{a,c} Frits A. de Wolf,^b Han Zuilhof,^c and Jan C.M. van Hest^{*a}

^a Radboud University Nijmegen, Institute for Molecules and Materials, Department of Organic Chemistry, P.O. Box 9010, 6500 GL Nijmegen, The Netherlands

^b Wageningen UR, Agrotechnology & Food Innovations B.V., P.O. Box 17, 6700 AA Wageningen, The Netherlands

^c Wageningen UR, Laboratory for Organic Chemistry, P.O. Box 8026, 6700 EG Wageningen, The Netherlands

aI

Sense 5'-TCGAGAAAAGAGAGGCTGAAGCGGGACGTCTCGGTGCCTAACATCCG-3'
anti-sense 5'-AATTCGGATGTTAGGCACCGAGACGTCCCGCTCAGCCTCTCTTTTC-3'

aII

Sense 5'-TCGAGAAAAGAGAGGCTGAAGCTAAGAAGGGACCAGTTCCTGGTGGTGCCTAACATCCG-3'
Anti-sense 5'-AATTCGGATGTTAGGCACCACCAGGAAGTGGTCCCTTCTTAGCTTCAGCCTCTCTTTTC-3'

V₅L₂G₃

Sense I

5'-

GTGCTGGTGGTGTTCGGGGCGTCGGTGTTCCTGGAGTCGGTGTCCAGGTGGAGGTGTTCAGGATTGGGTGTTCCTGG
TGTAGGTG-3'

Anti-sense I

5'-

GGAACACCTACACCAGGAACACCCAATCCTGGAACACCTCCACCTGGAACACCGACTCCAGGAACACCGACGCCCGGA
ACACCACCA-3'

Sense II

5'-

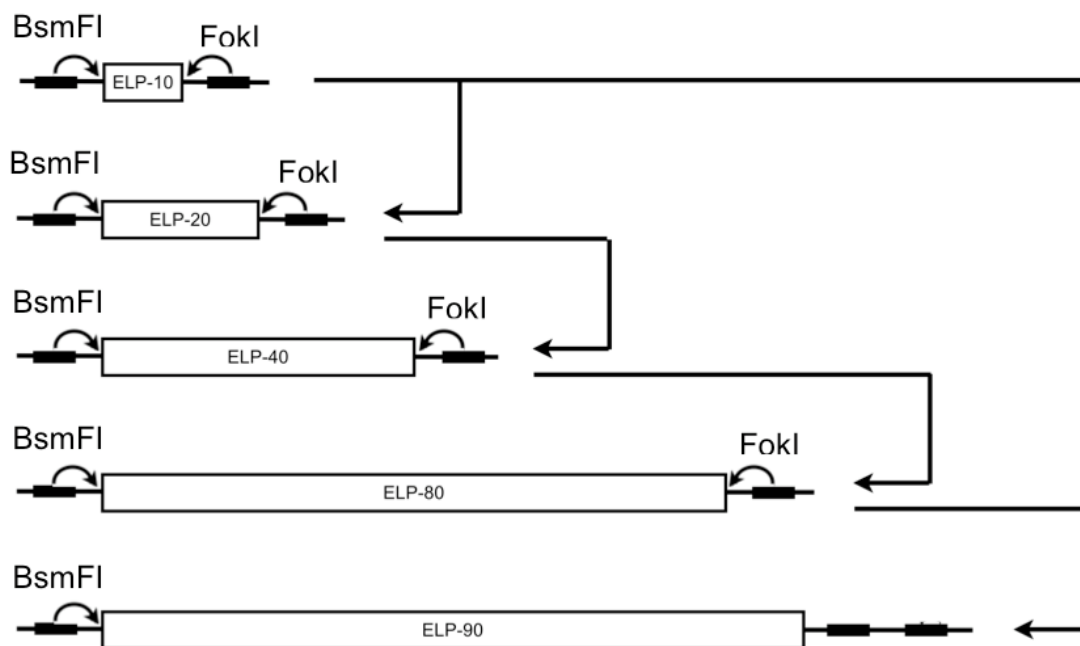
TTCCTGGTGTGGTGTTCAGGTGTGGTGTTCAGGTGGAGGTGTTCCTGGTTGGGAGTTCCTGGTGGTGGTGCCTAA
CATCCG-3'

Anti-sense II

5'-

AATTCGGATGTTAGGCACCACCAGGAAGTCCCAAACAGGAACACCTCCACCTGGAACACCAACACCTGGAACAC
CAACACCA-3'

Figure S1. DNA sequences of the used oligonucleotides (Eurogentec, Seraing, Belgium).



Scheme S1. Scheme representing the ELP multimerization, resulting in the genes for ELP-20, ELP-40 and ELP-90. BsmFI and FokI were used for multimerization (restriction enzyme recognition sites: ■■).