

Supporting Information

Enhancing Sensitivity in a Piezoresistive Cantilever-based Label-free DNA Detection Assay using ssPNA Sensor Probes

Srabani Ghosh, Sourav Mishra and Rupa Mukhopadhyay*

Department of Biological Chemistry, Indian Association for the Cultivation of Science,
Jadavpur, Kolkata-700 032, India

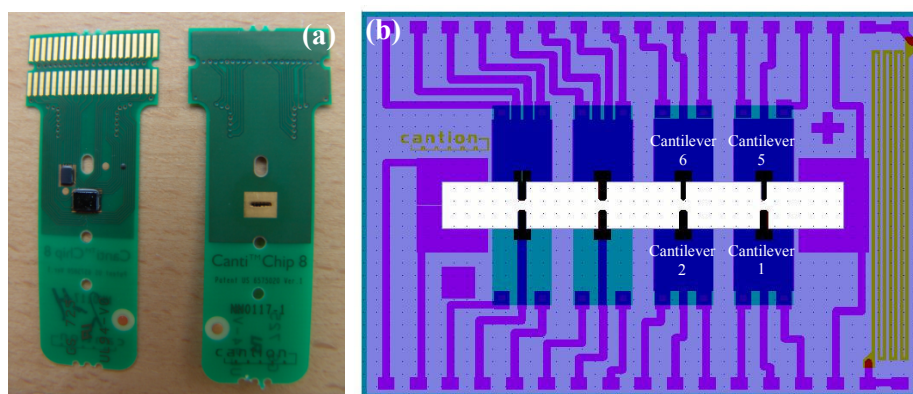


Figure S1: (a) CantiChip8 (both front and the back views are shown); (b) The pin connections of the CantiChip8. Figure courtesy: Nanonord A/S, Denmark.

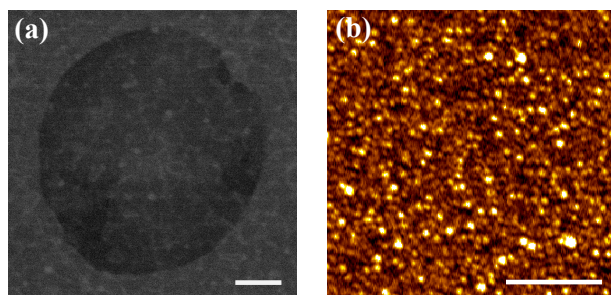


Figure S2: (a) SEM picture of a droplet of PNA solution as deposited by inkjet method; (b) AFM image of gold surface modified with PNA solution using inkjet method (in some areas). Scale bar for (a) 1.0 μm , (b) 200 nm and Z range for (b) 0-1.03 nm.

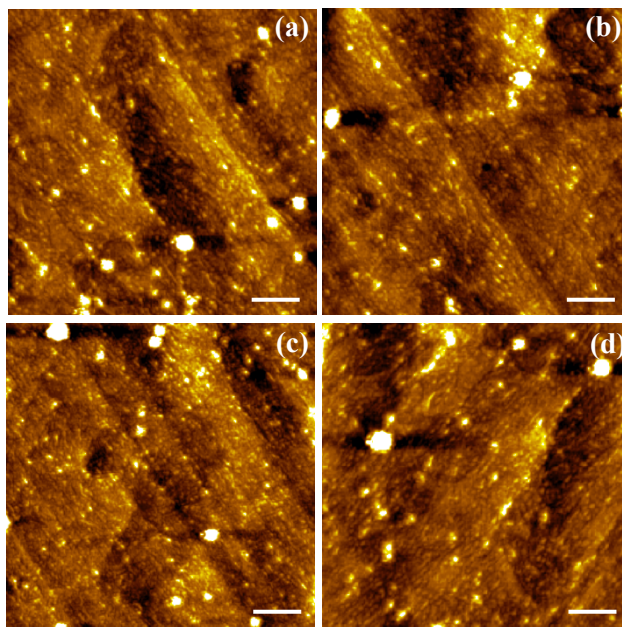


Figure S3: AFM topographic images of gold surface modified with PNA solution using inkjet method [scale bar for 300 nm and Z range for (a) 0–1.20 nm, (b) 0–1.22 nm, (c) 0–1.18 nm, & (d) 0–1.25 nm]